

Barudan

COMPUTERIZED MONOGRAM MACHINE

MODEL **BEATME** ⁹⁰²₉₀₄⁹⁰⁶₉₀₈ **-YS**

PARTS LIST

BARUDAN CO., LTD.

ADDRESS 906 JOSUJI
ICHINOMIYA-CITY · AICHI-PREF ·
JAPAN

TEL. <0586>76-1137
FAX. <0586>77-1499
TELEX 4573268 BARUNA J
CABLE BARUNA ICHINOMIYA

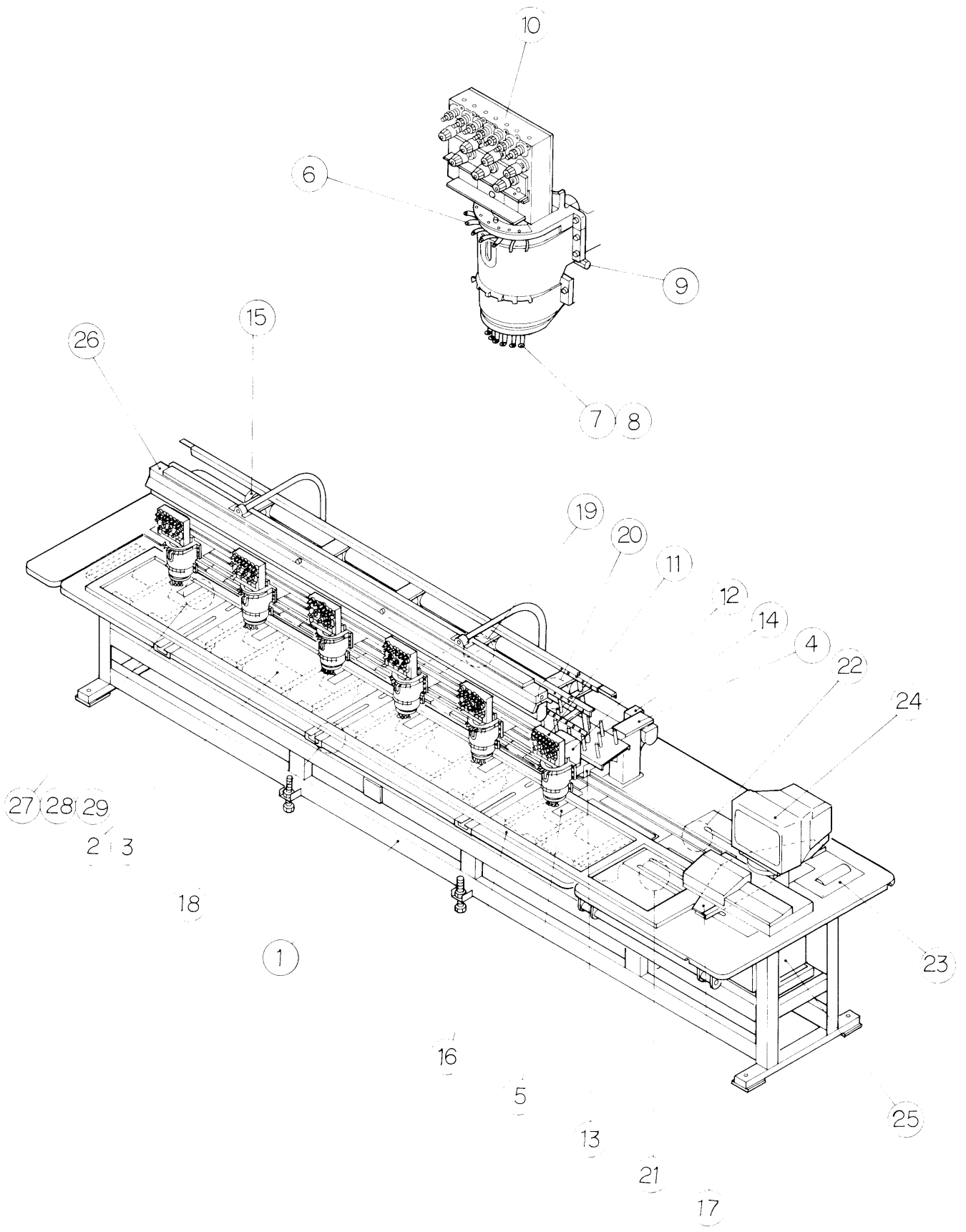
B E A T M E — 902 • 904 • 906 • 908 — Y S

P A R T S L I S T

C O N T E N T S

ITEM No.	ページNo.
Machine layout	1
① Table • Frame	2
② Table lifter mechanism I	1 0
③ Table lifter mechanism II	1 8
④ Sewing head a'ssy	2 0
⑤ Bed a'ssy	2 2
⑥ Take up lever mechanism	2 4
⑦ Needle bar mechanism I	2 6
⑧ Needle bar mechanism II	2 8
⑨ Jump mechanism	3 0
⑩ Thread guide mechanism	3 2
⑪ Thread guide mechanism (Head with color change mechanism)	3 4
⑫ Color change mechanism I	3 6
⑬ Color change mechanism II	3 8
⑭ Connecting shaft mechanism	4 0
⑮ Drive mechanism	4 2
⑯ Pantograph drive mechanism I (Pantograph, Cover)	4 4
⑰ Pantograph drive mechanism II (T-Pantograph relation)	4 6
⑱ Pantograph drive mechanism III (H-Direction • Front)	5 4
⑲ Pantograph drive mechanism IV (H-Direction • Rear)	5 6
⑳ Pantograph drive mechanism V (H-Direction • Drive)	5 8
㉑ Pantograph drive mechanism VI (V-Direction • Front)	6 0
㉒ Pantograph drive mechanism VII (V-Direction • Rear)	6 2
㉓ Pantograph drive mechanism VIII (V-Direction • Drive)	6 4
㉔ Control system I	6 6
㉕ Control system II	6 8
㉖ Option	7 0
㉗ Automatic thread cutting mechanism I (Thread cutting section)	7 2
㉘ Automatic thread cutting mechanism II (Thread away section)	7 4
㉙ Automatic thread cutting mechanism III (Thread support section)	7 6
㉚ Automatic thread cutting mechanism IV (Drive section)	7 8
INDEX	8 0

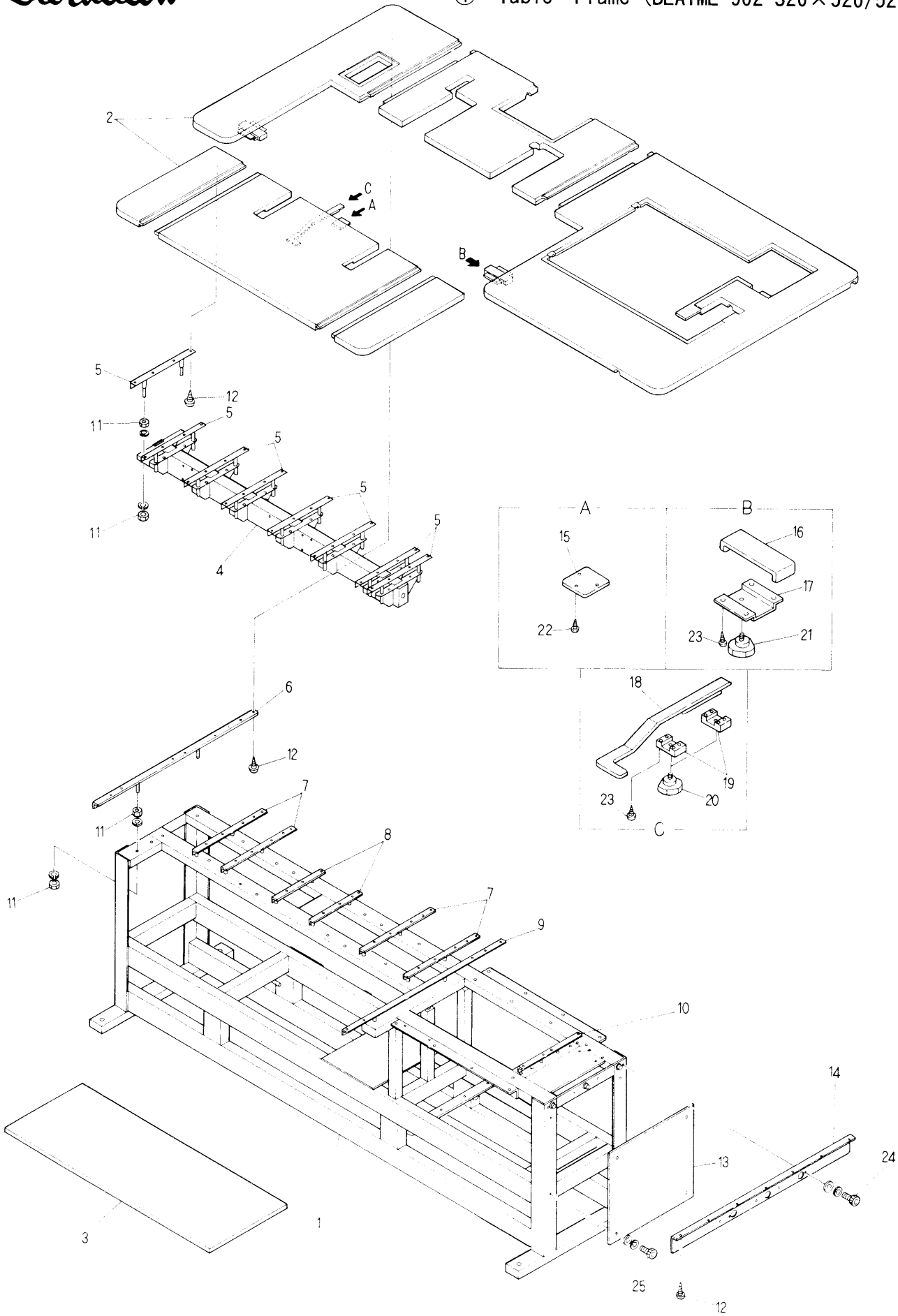
9 0 2
9 0 4
9 0 6
9 0 8



From the library of: Diamond Needle Corp

Barudan

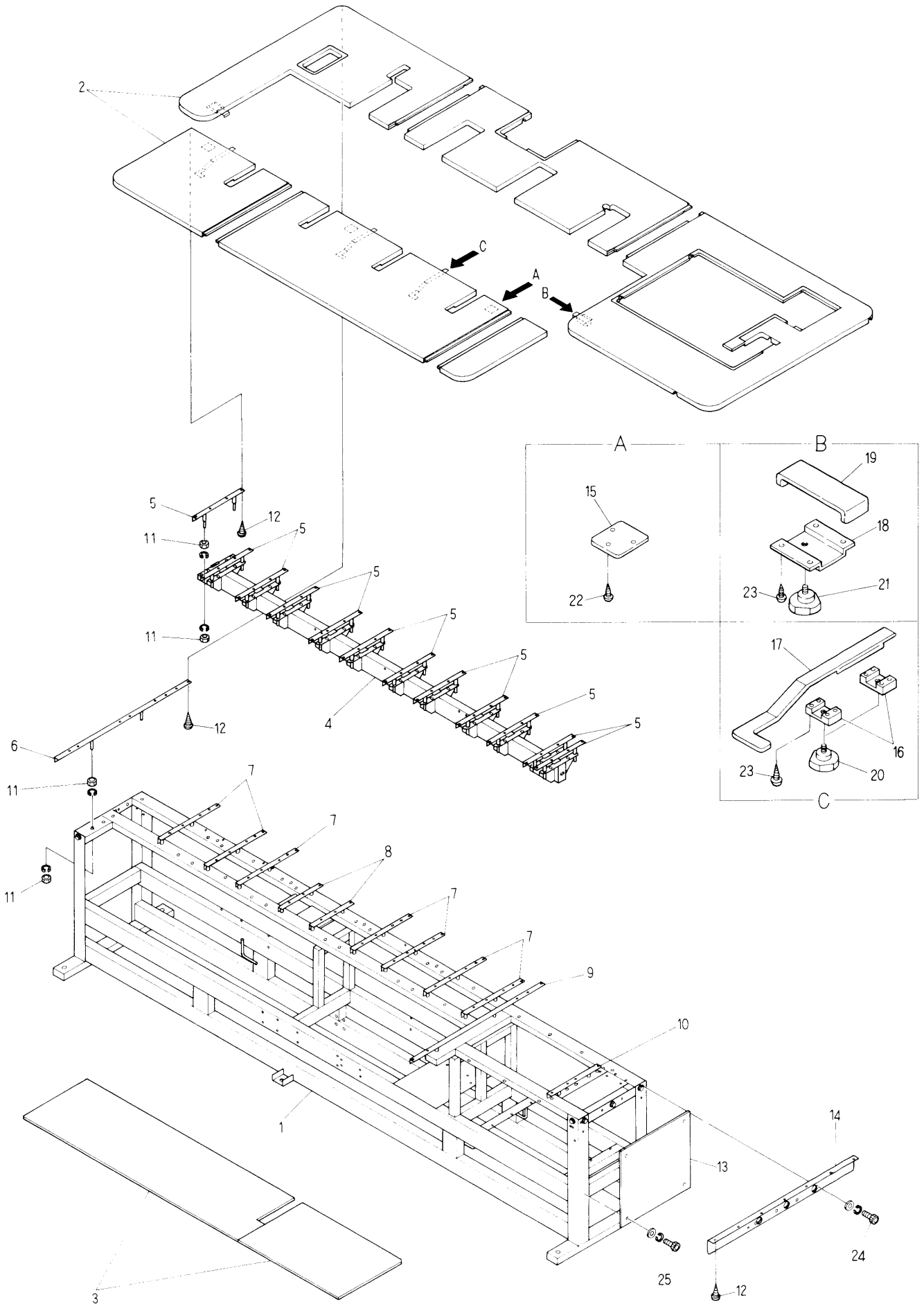
① Table • Frame (BEATME-902 320×520/520)



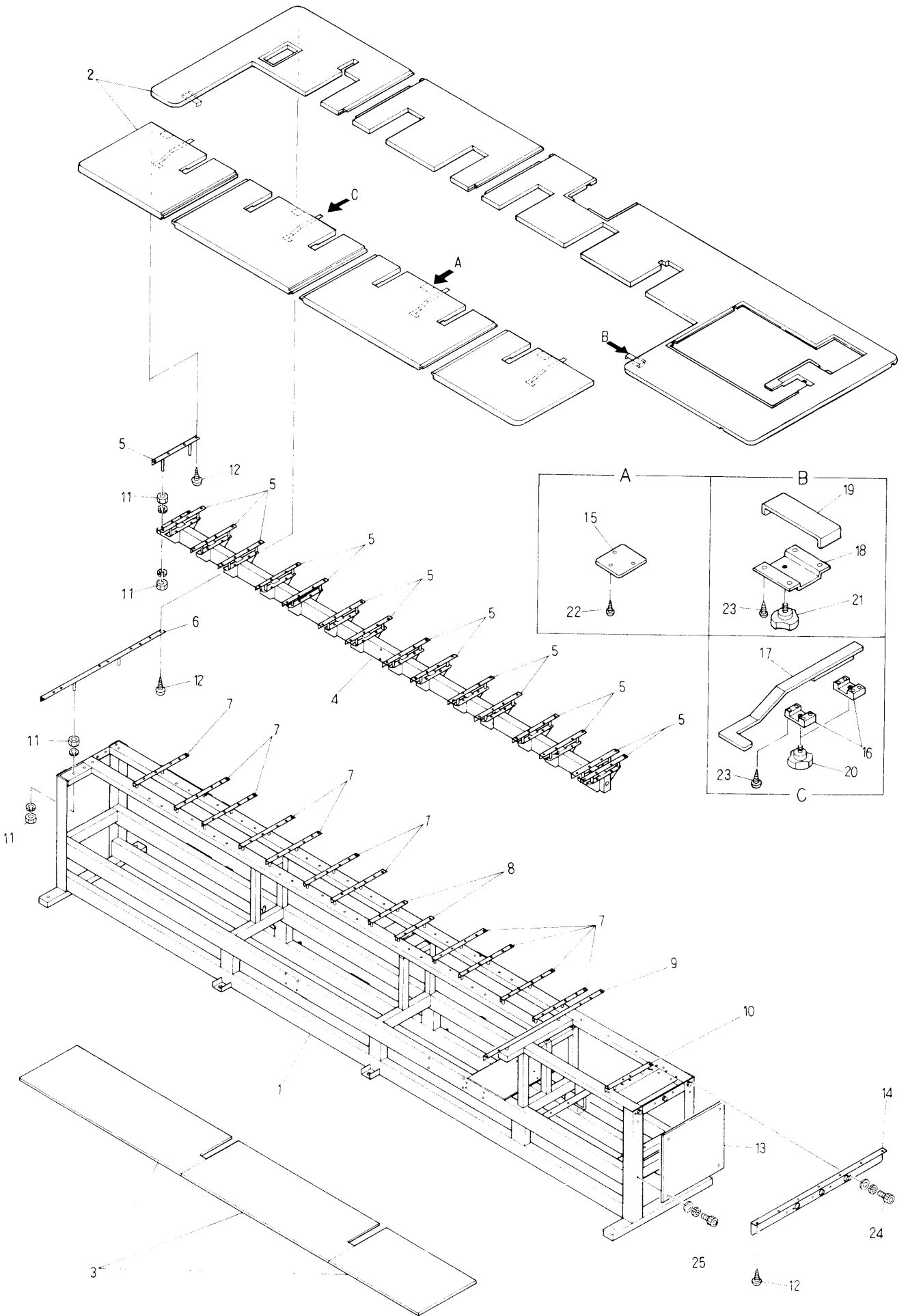
From the library of: Diamond Needle Corp

① Table • Frame (BEATME-902 320×520/520)

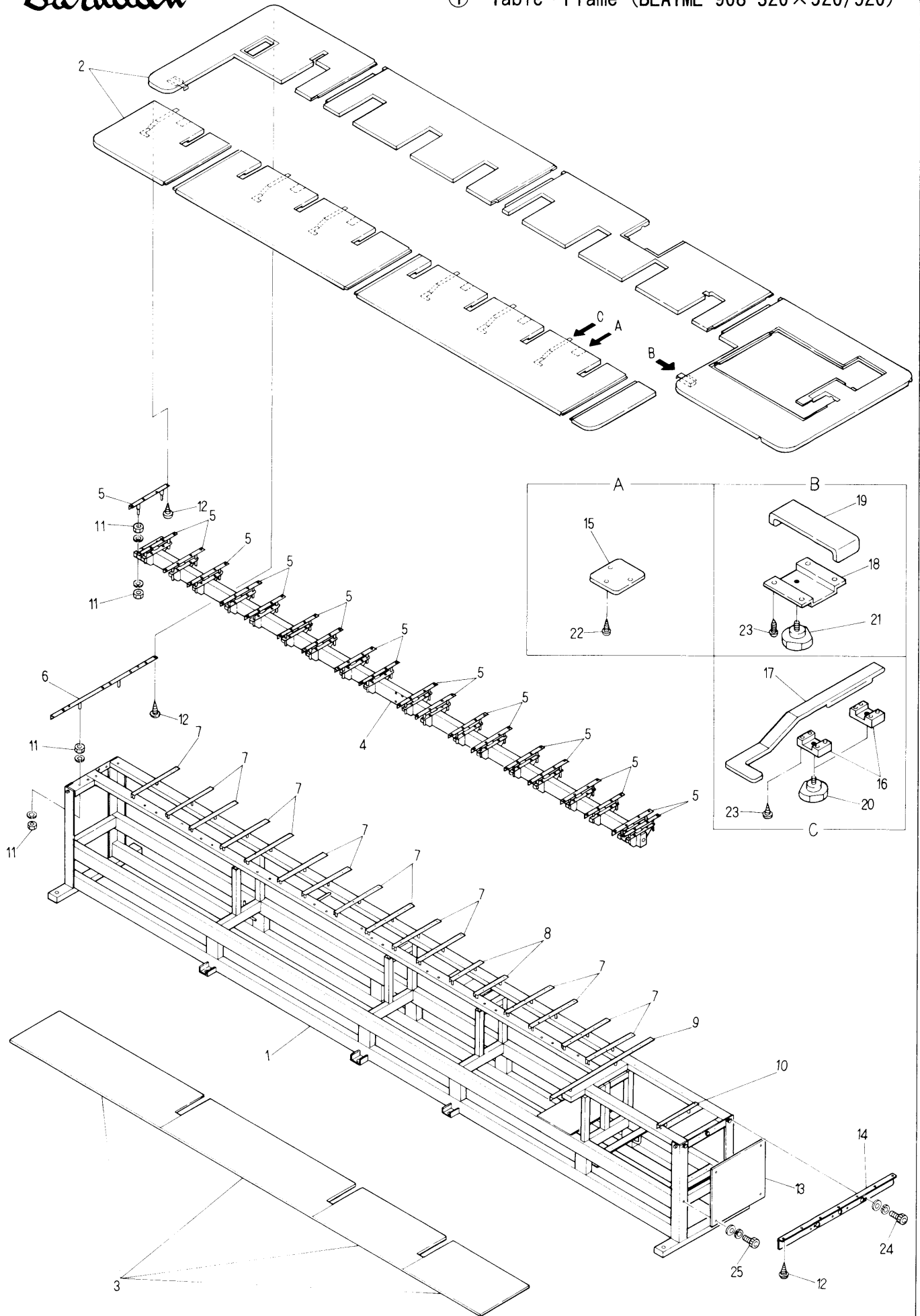
ITEM	LIST No	DESCRIPTION	Q'TY	REMARK
1	1AKR025205200	Frame (BEATME-902 320×520/520)	1	
2	1BKR025205200	Table (BEATME-902 320×520/520)	1	
3	1KKR025205200	Shelf board (BEATME-902 320×520/520)	1	
4	2AKR025205200	Table guide (Front) (BEATME-902 320×520/520)	1	
5	KK140170	Table support (L = 350)	8	
6	KR140010	Table support (L = 955)	1	
7	KR140040	Table support (L = 420)	4	
8	KR140000	Table support (L = 290)	2	
9	KR140020	Table support (L = 930)	1	
10	KR140030	Table support (L = 354)	1	
11		Hex, nut M10		
12		Wood screw 5.1×25		
13	KC110910	Frame side cover (R)	1	
14	KK140000	Aluminium table support	1	
15	KK140061	Table stopper	1	
16	KR140050	Table support plate	2	
17	MA140320	Center table support plate bracket	2	
18	KK140160	Table stopper lever	1	
19	KK140020	Table stopper bracket	2	
20	A9012259	Knob bolt KT-B, L=10 (M8)	2	
21	A9012032	Knob bolt KT-B, L=20 (M8)	2	
22		Wood screw 3.8×20		
23		Bind tapping screw 4.5×24		
24		Hex, socket bolt M6×20		
25		Hex, socket bolt M6×10		



From the library of: Diamond Needle Corp



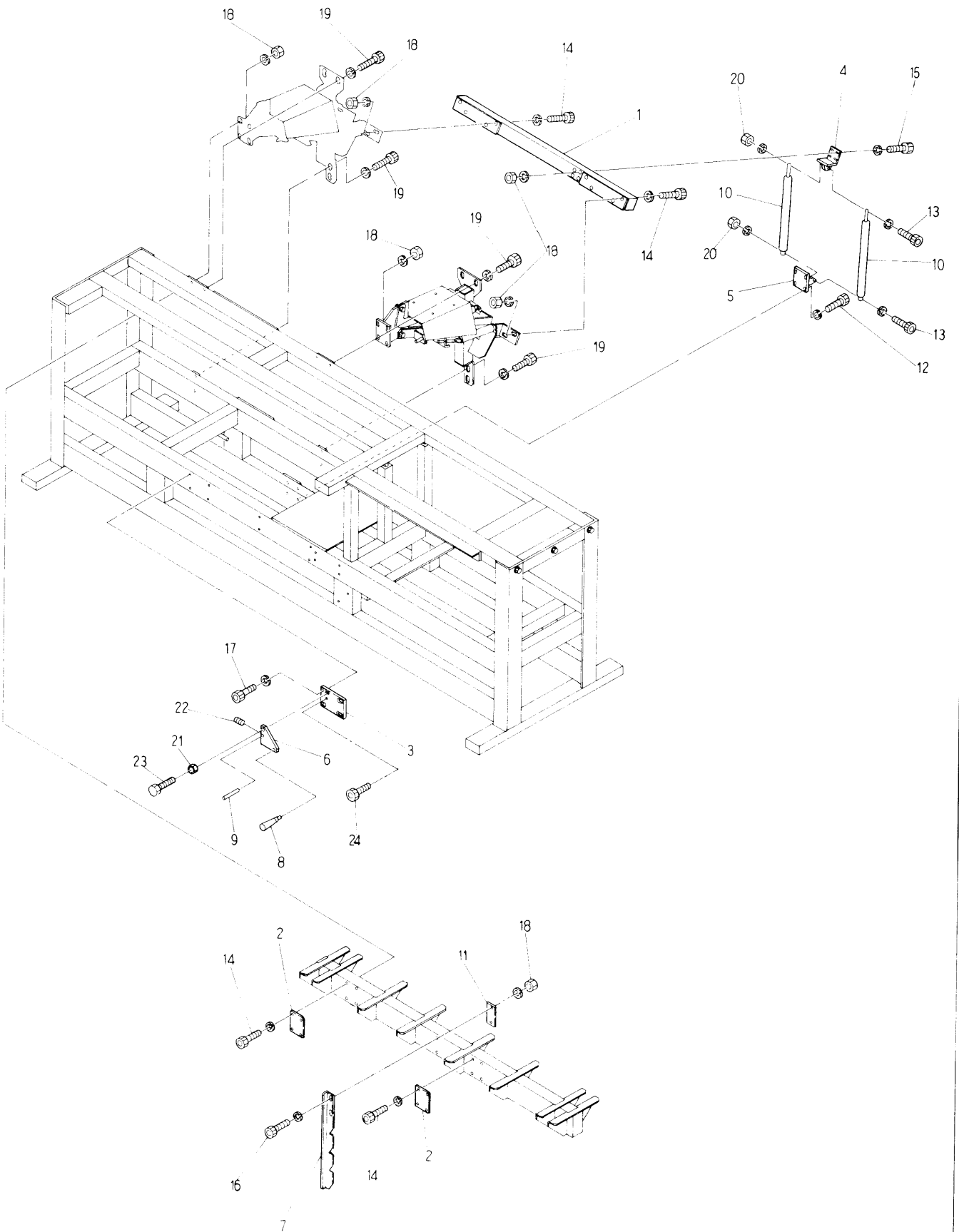
From the library of: Diamond Needle Corp



From the library of: Diamond Needle Corp

Barudan

② Table lifter mechanism I
(BEATME-902 320×520/520)



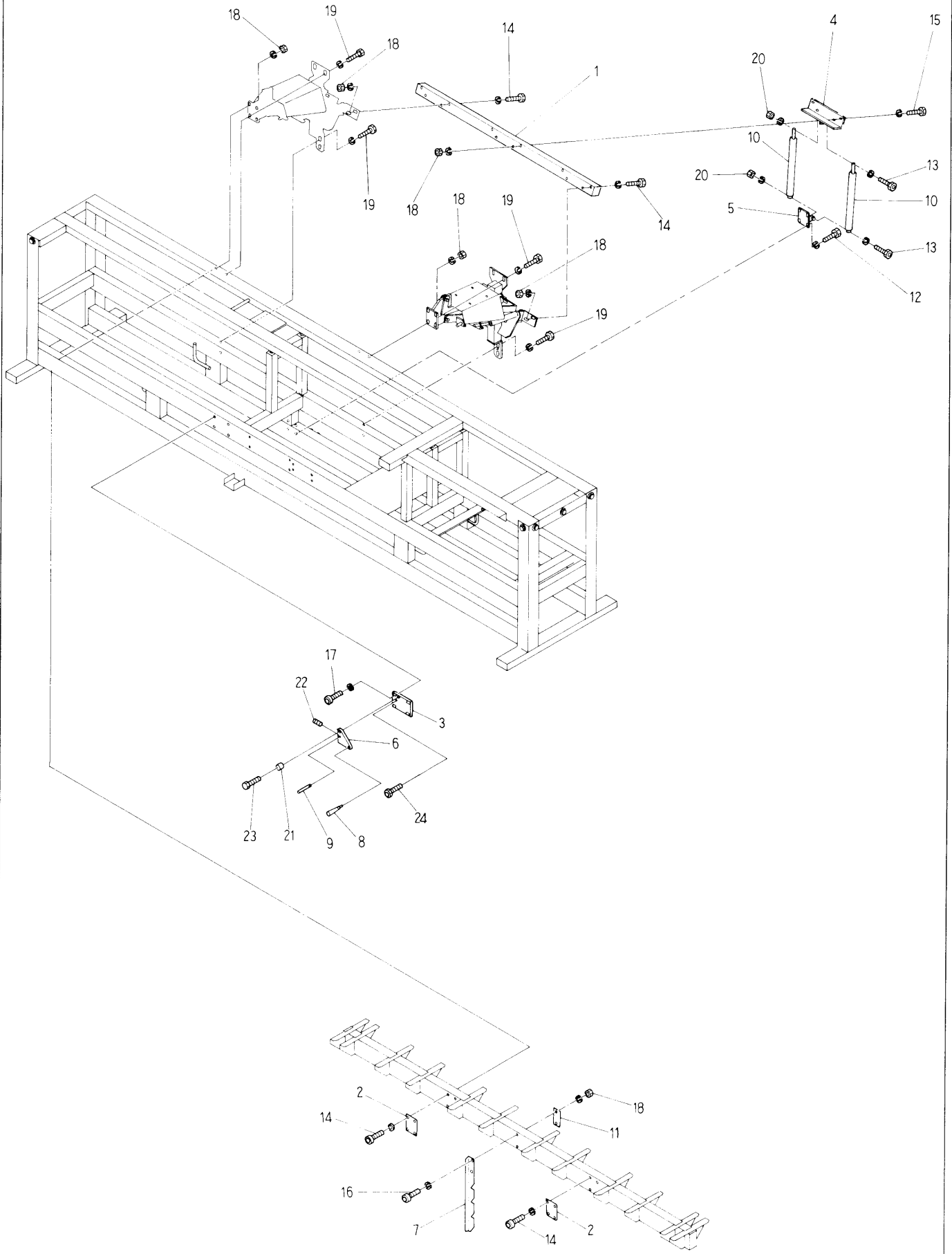
From the library of: Diamond Needle Corp

MODEL BEATME

902
904
906
908

 -YS

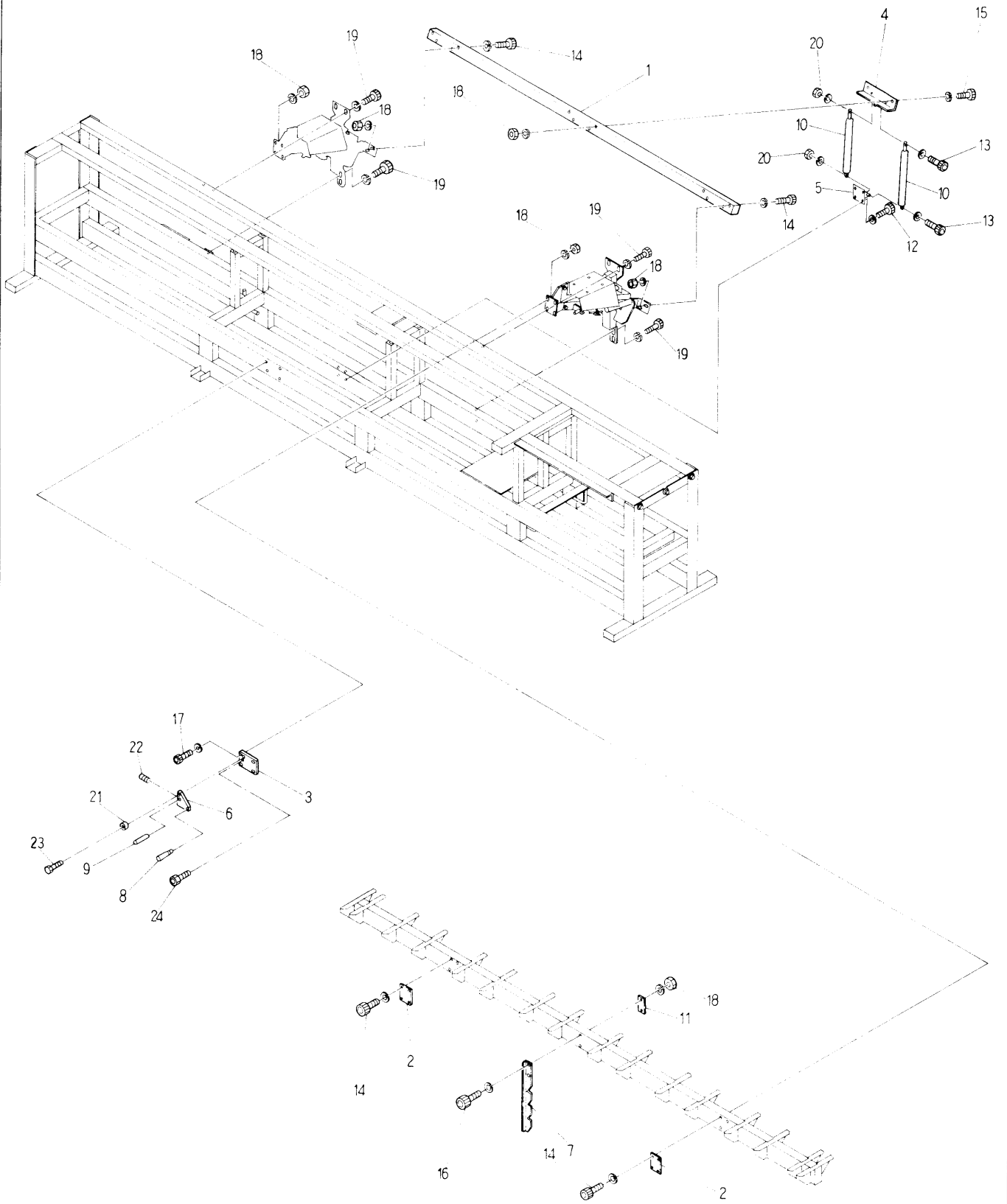
② Table lifter mechanism I
(BEATME-904 320×520/520)



From the library of: Diamond Needle Corp

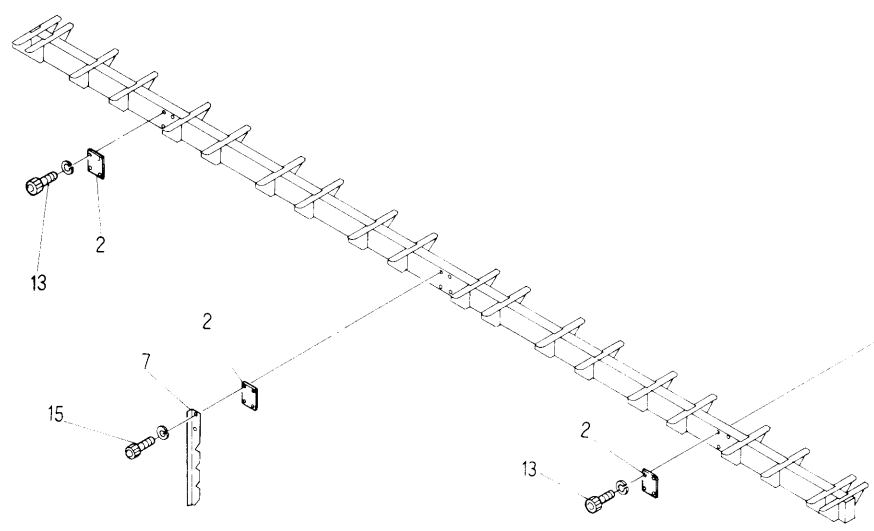
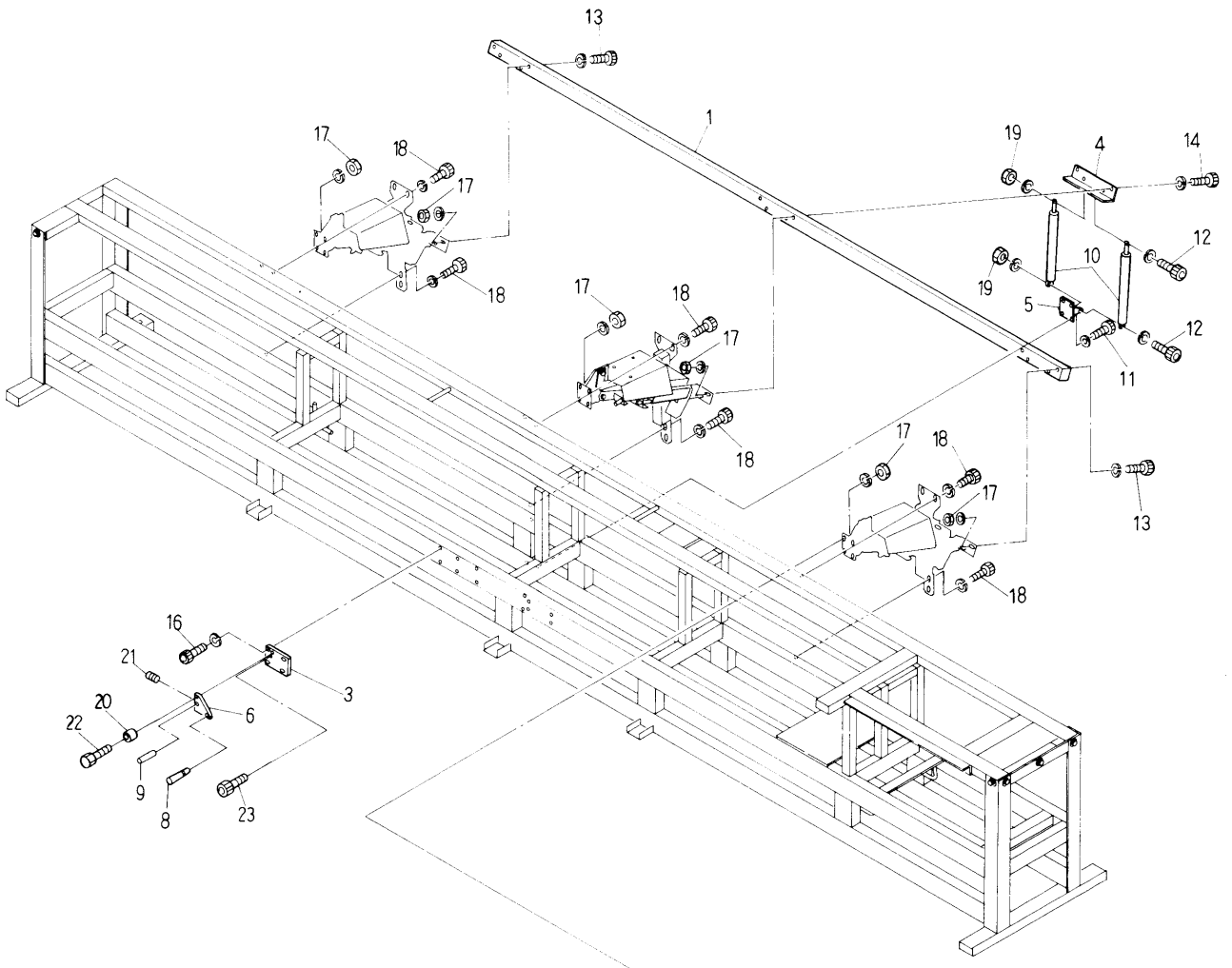
Barudan

② Table lifter mechanism I
(BEATME-906 320×520/520)

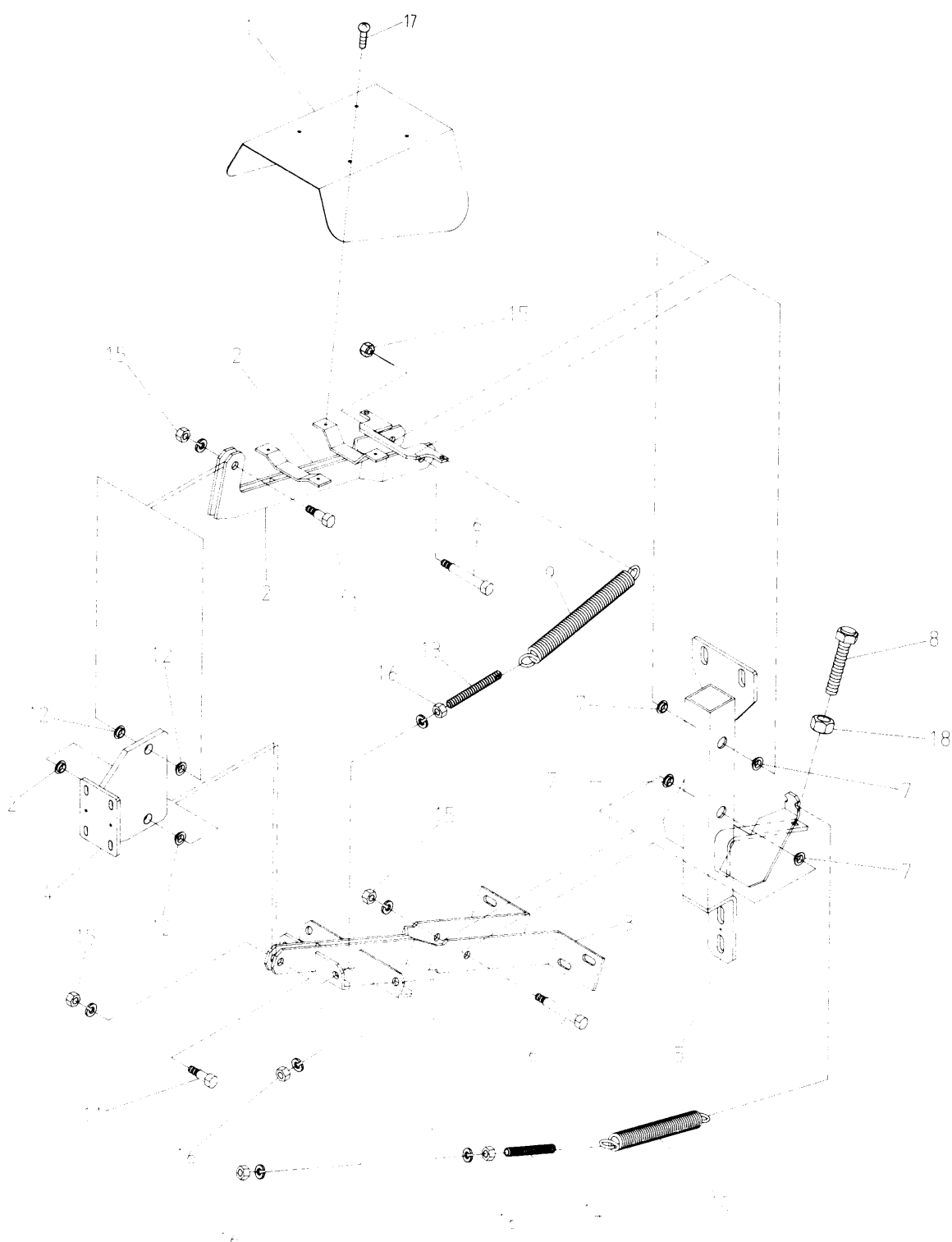


From the library of: Diamond Needle Corp

MODEL BEATME 906-YS



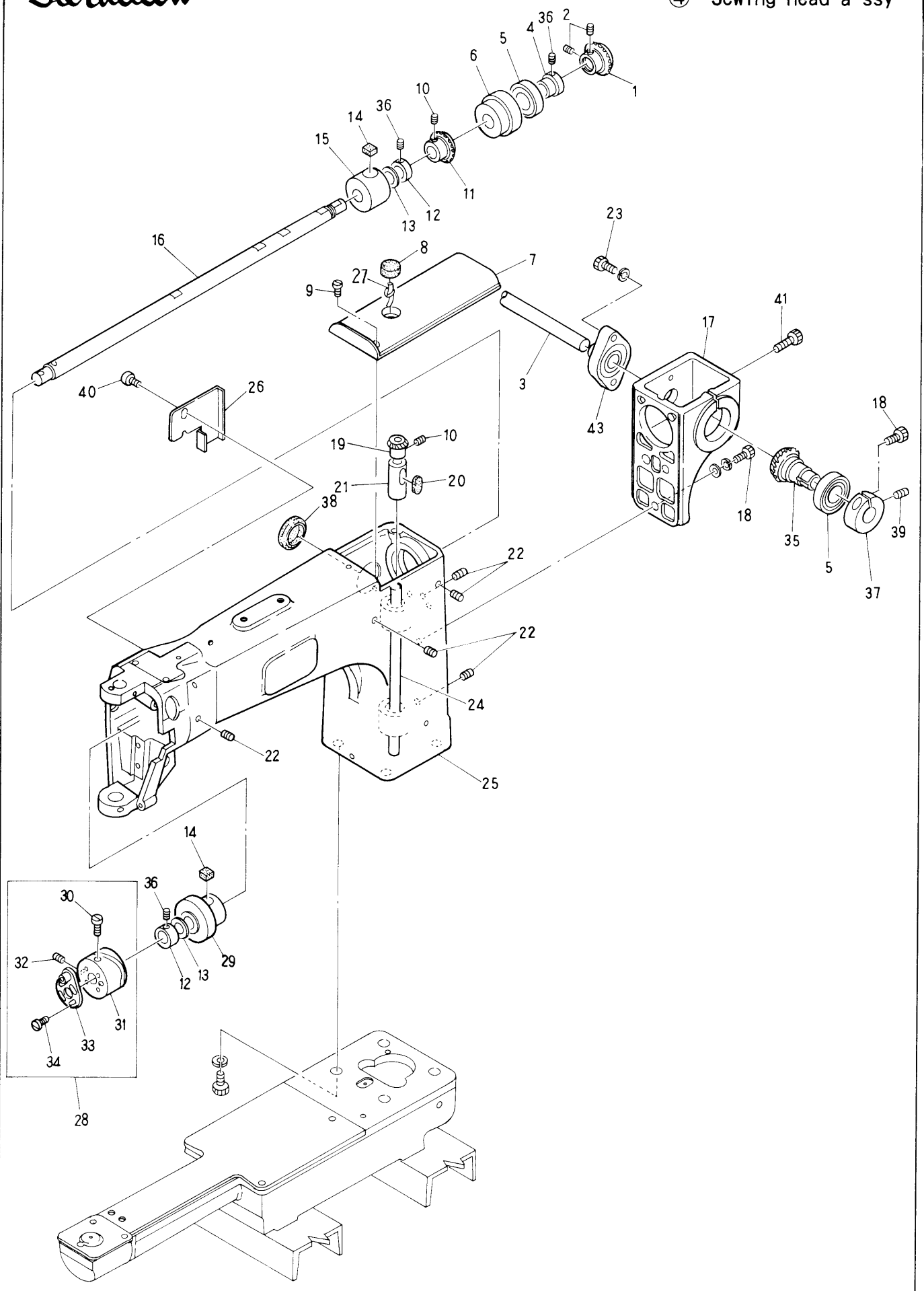
From the library of: Diamond Needle Corp



From the library of: Diamond Needle Corp

Barudan

④ Sewing head a' ssy



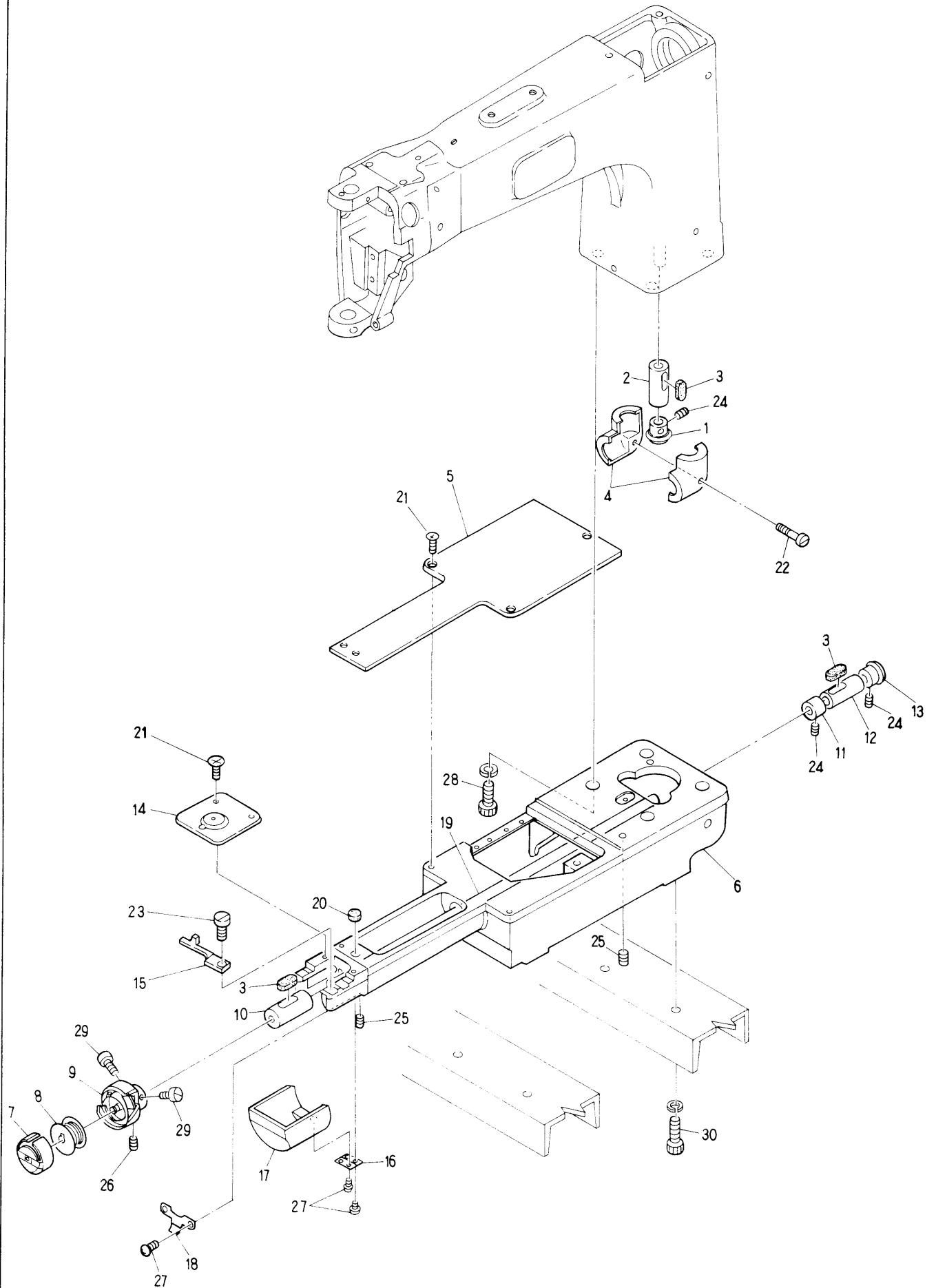
From the library of: Diamond Needle Corp

MODEL BEATME -YS

④ Sewing head assembly

(H=Head Q'TY)

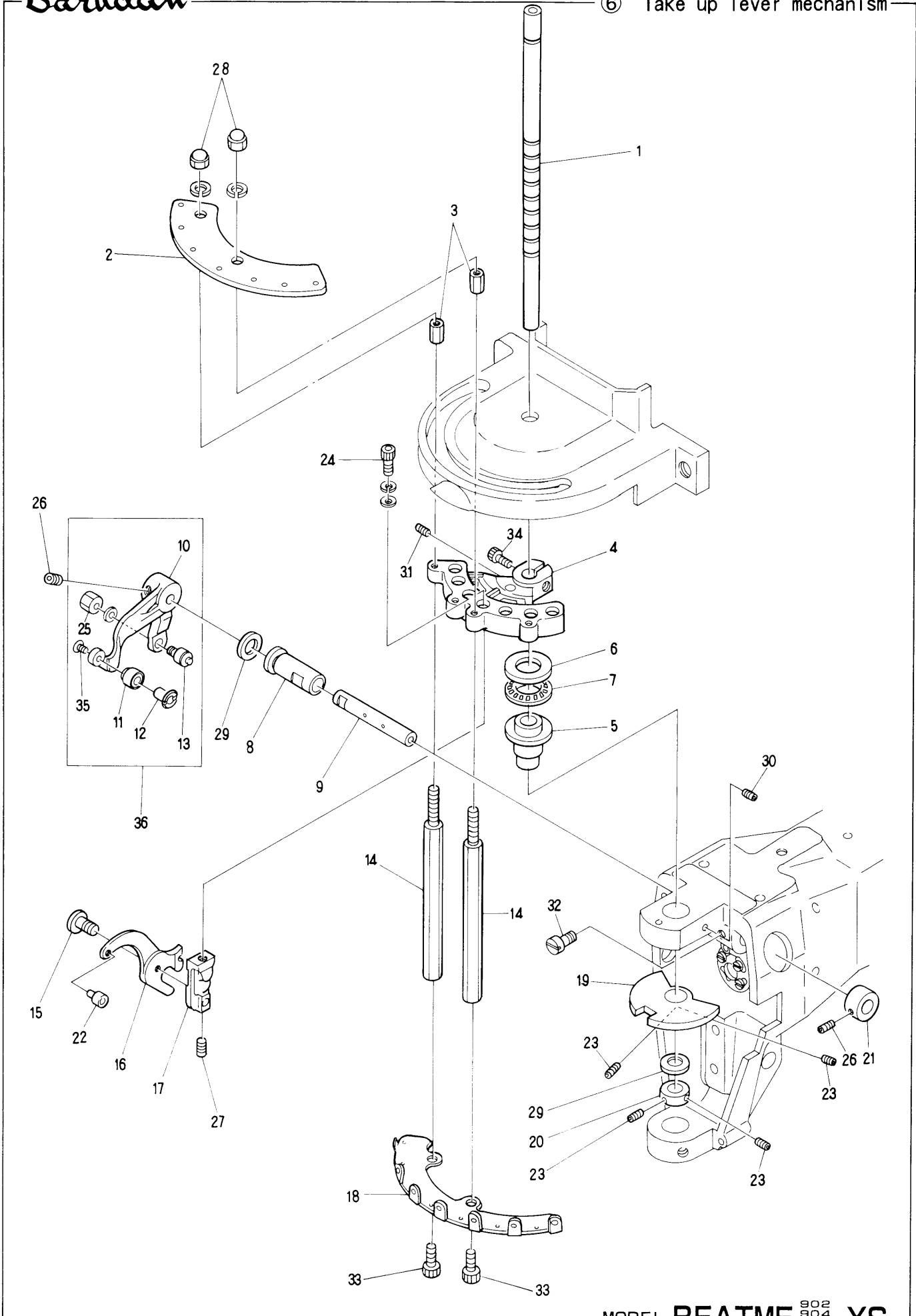
ITEM	LIST No.	DESCRIPTION	Q'TY	REMARK
1	KL220100	Top shaft (Spiral bevel M1.5-25R)	1/H	
2		Hex, socket set screw M6×6 (With adhesion)	2/H	
3		Top shaft connecting shaft φ15		
4	KL220090	Top shaft bearing collar (Rear)	1/H	
5	A9010017	Bearing (6004ZZ)	2/H	
6	KL220040	Top shaft bearing case (Rear)	1/H	
7	KL250040	Arm top cover	1/H	
8	KL220150	Oil felt D	1/H	
9		Truss screw M4×10		
10		Screw (SM1/4 40×4)		
11	KF220130	Bevel gear (Top shaft)	1/H	
12	KL220080	Top shaft collar	2/H	
13	HP231390	Thrust washer (Top shaft gear)	2/H	
14	KL220130	Oil felt B	2/H	
15	KL220030	Top shaft metal (Middle)	1/H	
16	KL220000	Top shaft	1/H	
17	KL210140	Arm gear case	1/H	
18		Hex, socket bolt M6×25		
19	KF220460	Bevel gear (Vertical shaft upper)	1/H	
20	KL220140	Oil felt C	1/H	
21	KL220050	Vertical metal (Upper)	1/H	
22		Hex, socket set screw M6×8		
23		Hex, socket bolt M6×30		
24	KL220010	Vertical shaft	1/H	
25	KB210160	Arm	1/H	
	KR210030	Arm (BEAT900)	1	For color change
26	KL250051	Arm side cable cover	1/H	
27	KC251330	Oil core L=75	1/H	
28	KB230010	Take up lever cam K6 90° with crank	1/H	
29	KL220020	Top shaft metal (Front)	1/H	
30	KF230420	Take up lever cam set screw	1/H	
31	KB230030	Take up lever cam K6	1/H	
32		Screw (SM15/64 28×10) (With adhesion)	1/H	
33	KB230050	90° Crank	1/H	
34	A9012007	Screw (SM11/64 40×10)	1/H	
35	KL320000	Connecting gear (Spiral bevel M1.5-25L)	1/H	
36		Hex, socket set screw M6×6		
37	KL320020	Connecting gear clamp φ19	1/H	
38	A9014063	Grommet C-30-SG-36A	1/H	
39		Hex, socket set screw M6×10		
40		Truss screw M4×8		
41		Hex, socket bolt M6×60		



From the library of: Diamond Needle Corp

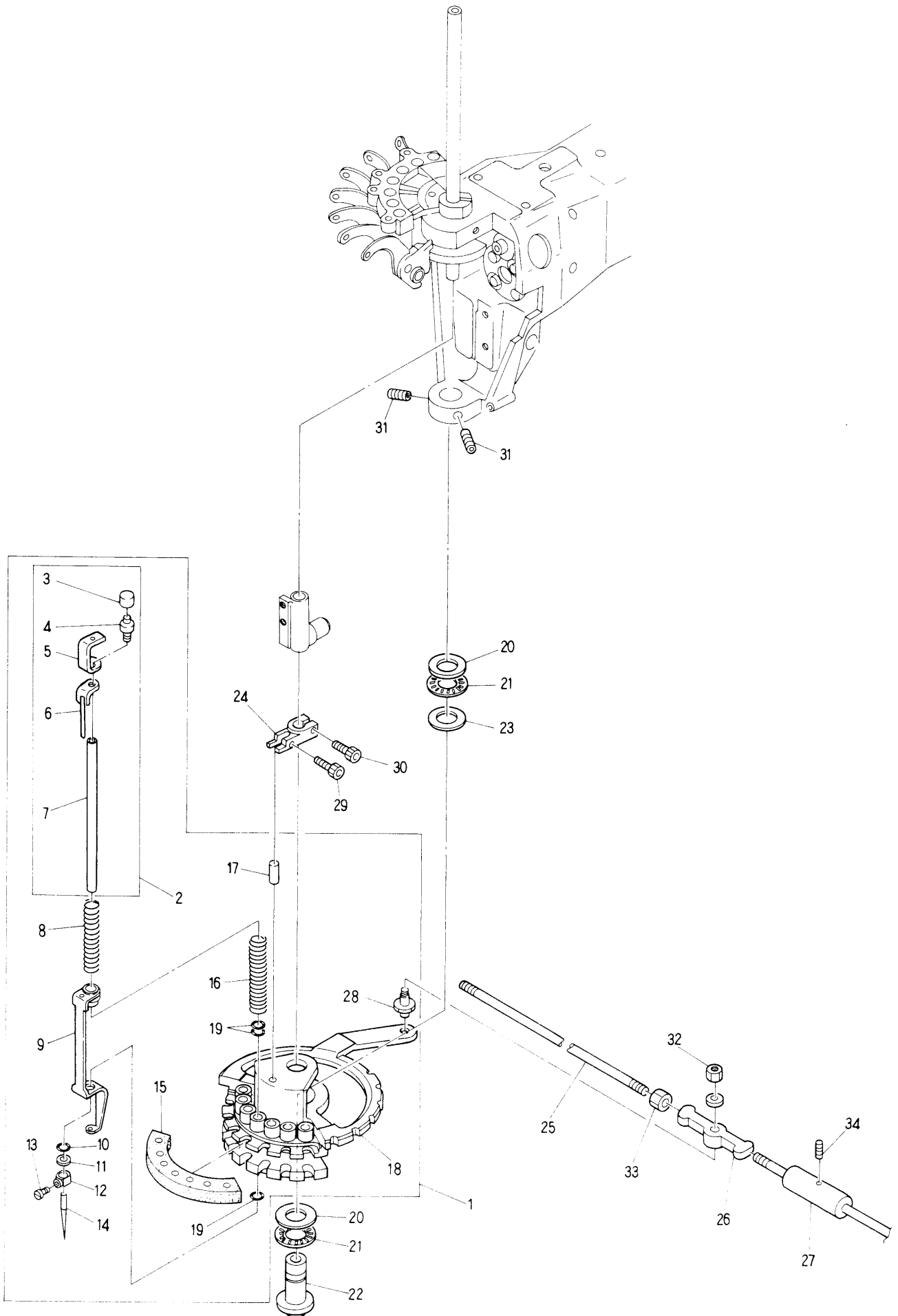
Barudan

⑥ Take up lever mechanism

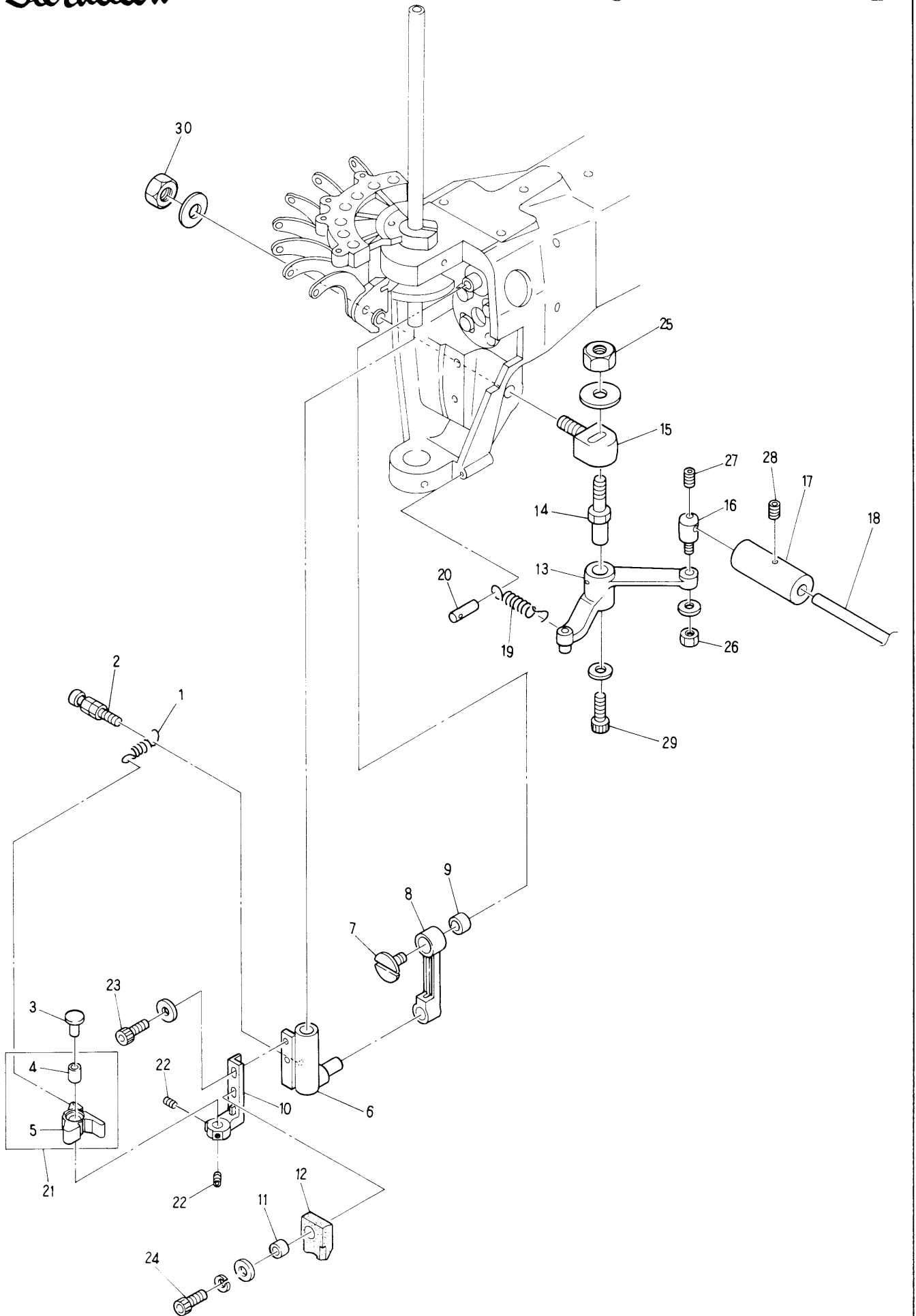


From the library of: Diamond Needle Corp

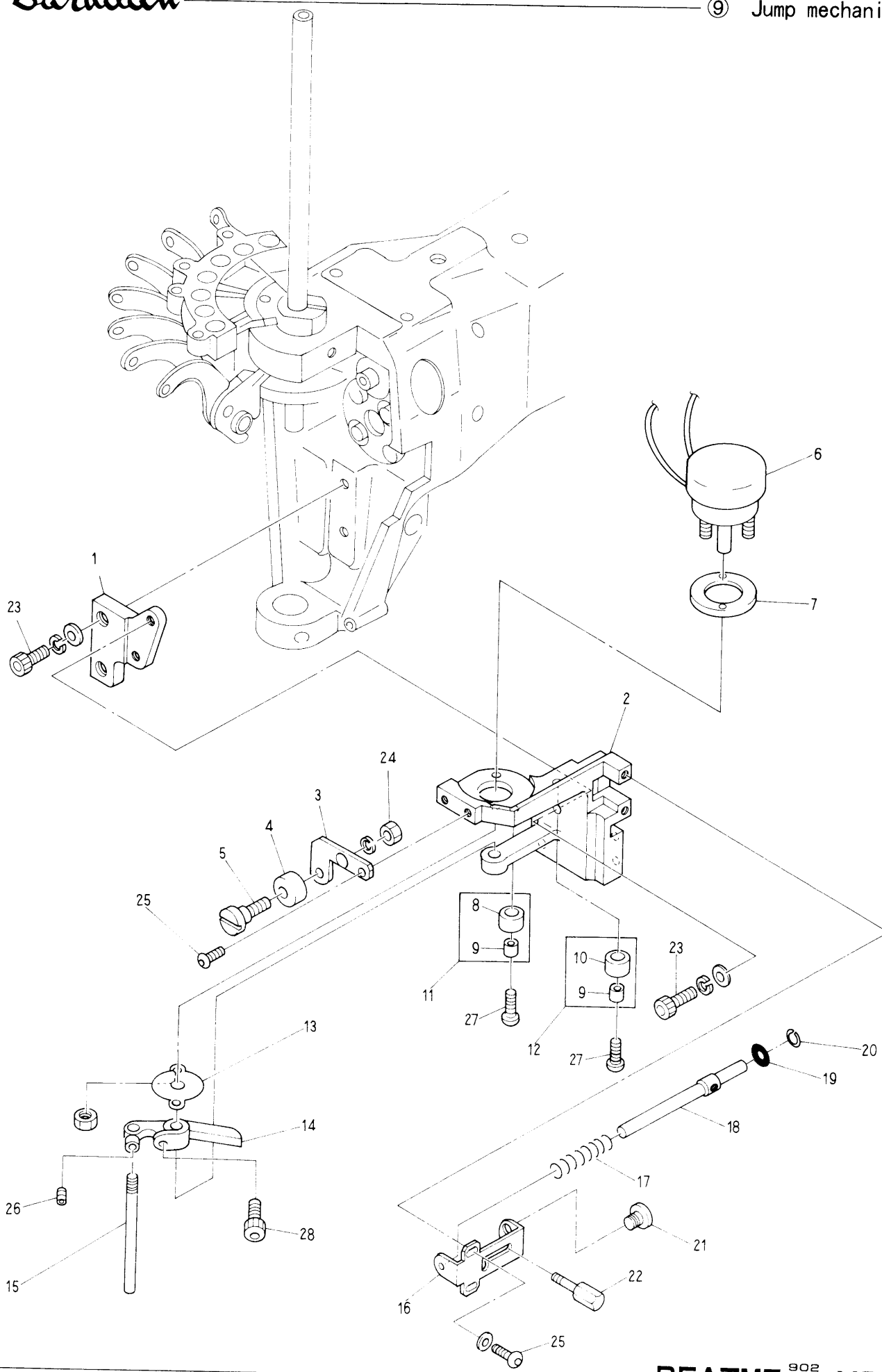
MODEL BEATME-YS 902 904 906 908



From the library of: Diamond Needle Corp



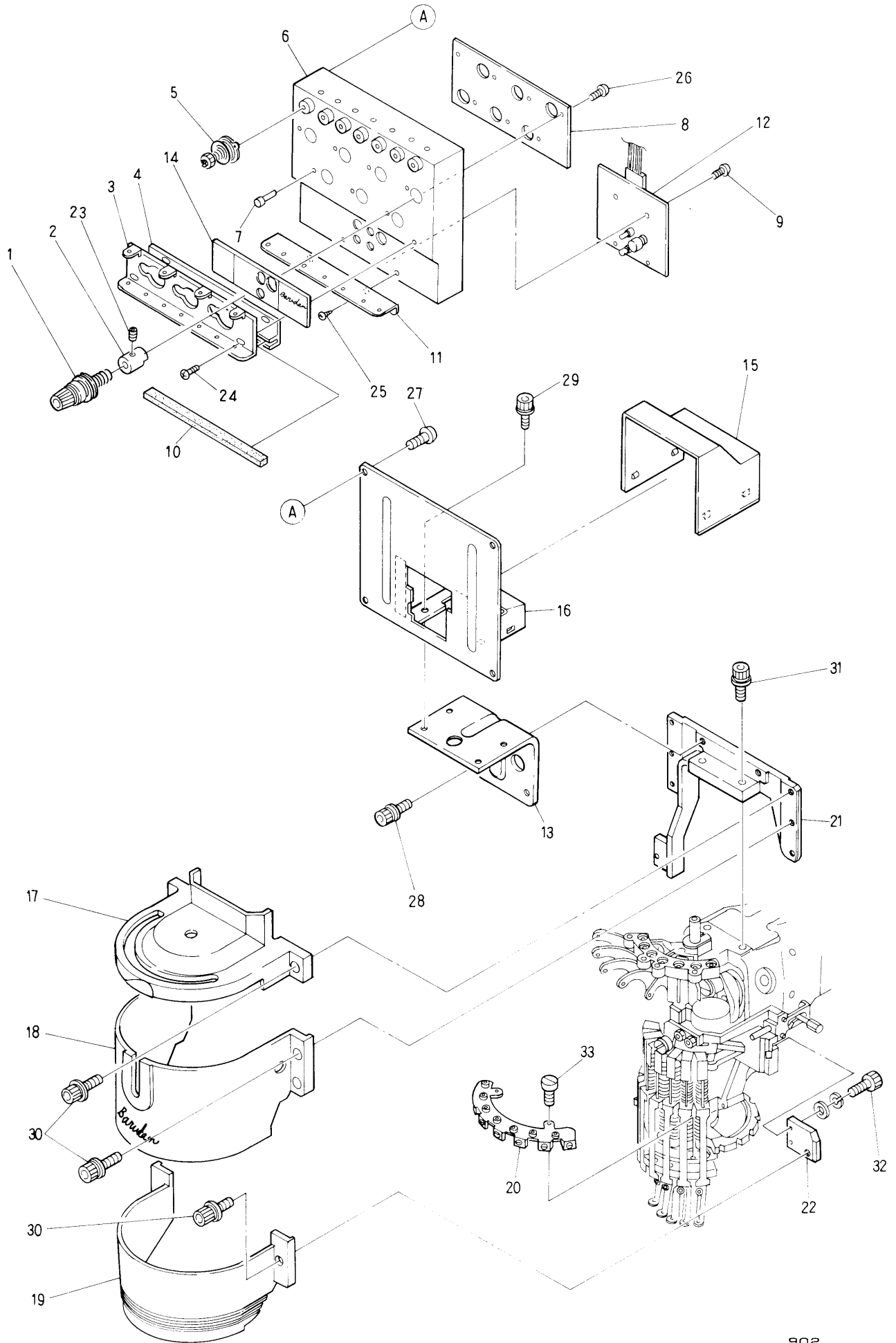
From the library of: Diamond Needle Corp



From the library of: Diamond Needle Corp

Barudan

⑩ Thread guide mechanism



From the library of: Diamond Needle Corp

MODEL BEATME 9802 9804 9806 9808 -YS

⑩ Thread guide mechanism

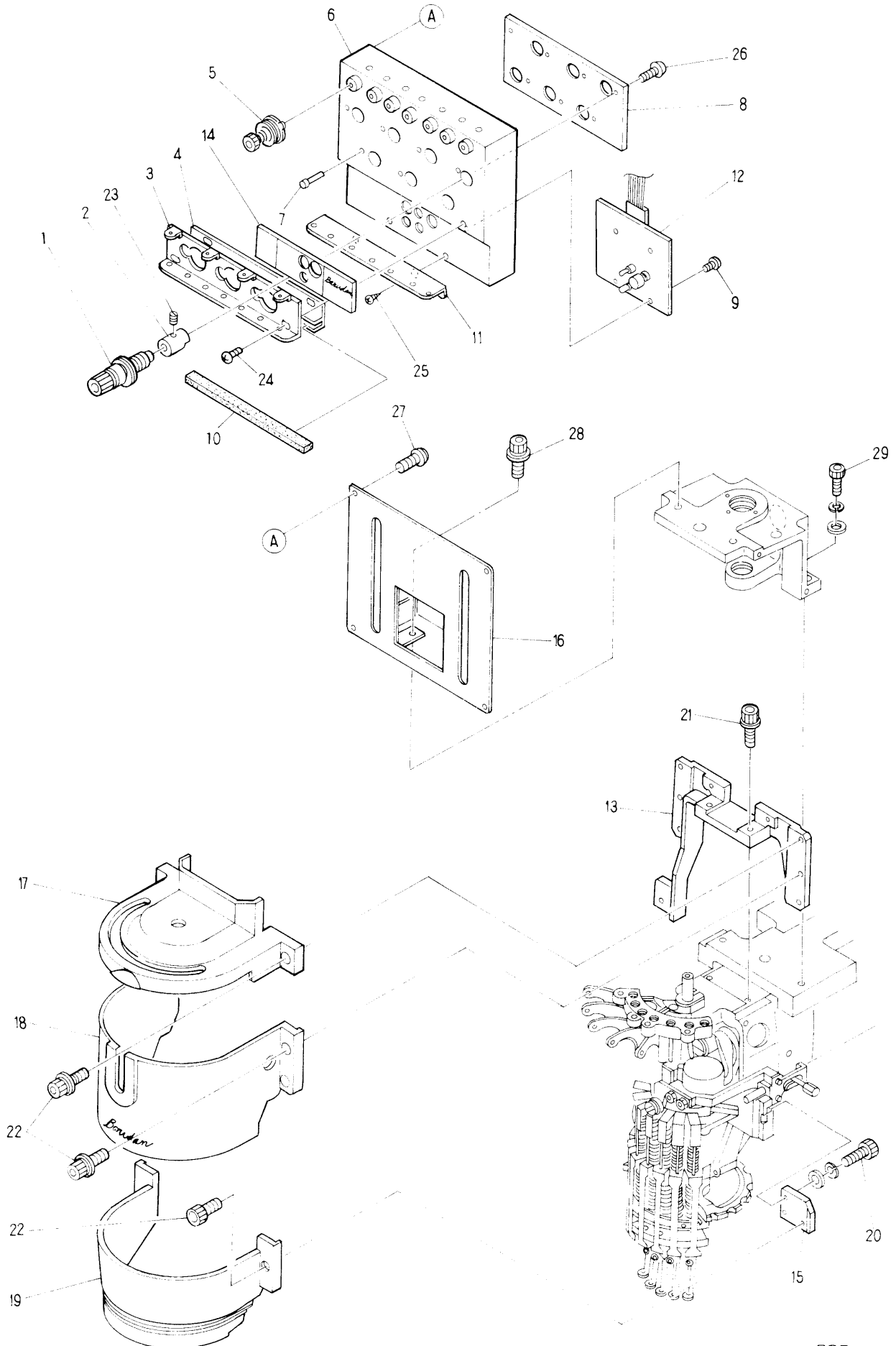
(H=Head Q'TY)

ITEM	LIST No	DESCRIPTION	Q'TY	REMARK
1	HP241410	Dial type tension unit complete		YF...5/H YS ...7/H
2	HP241150	Tension base (With screw)		YF...5/H YS ...7/H
3	HP241180	First thread guide (7)	1/H	YS
	HP241170	First thread guide (5)	1/H	YF
4	HP241460	Thread guide felt fixing plate (7)	1/H	YS
	HP241450	Thread guide felt fixing plate (5)	1/H	YF
5	HP241440	Upper tension unit complete		YF...5/H YS...7/H
6	HP241122	Tension base (7)	1/H	HP241160 HP241150 YS
	HP241112	Tension base (5)	1/H	HP241160 HP241150 YF
7	HP241160	Upper thread detection pin		YF...5/H YS...7/H
8	HP241381	Tension earth plate (7)	1/H	YS
	HP241371	Tension earth plate (5)	1/H	YF
9		Tapping screw 2×8		
10	HP241480	Thread guide felt (7)	1/H	YS
	HP241470	Thread guide felt (5)	1/H	YF
11	HB240260	Second thread guide plate (7)	1/H	YS
	HB240270	Second thread guide plate (5)	1/H	YF
12	EBN01660	2001-019 Upper thread detection board a'ssy	1/H	
13	KB240051	Tension base bracket	1/H	
14	KU241400	Tension base label	1/H	
15	KB240100	Tension base cover	1/H	
16	KB240060	Tension base (7)	1/H	YS
	KB240070	Tension base (5)	1/H	YF
17	KB250020	Sewing head cover A	1/H	
18	KB250030	Sewing head cover B	1/H	
19	KB250040	Sewing head cover C	1/H	
20	KG250010	Thread end trap unit a'ssy (7)	1/H	YS
	HP250050	Thread end trap unit a'ssy (5)	1/H	YF
21	KB250050	Sewing head cover fixing bracket	1/H	
22	KB250060	Sewing head cover fixing stay	1/H	
23		Set screw (SM11/64 40×5.5)		
24		Truss screw M4×6		
25		Tapping screw M3.5×8		
26		Pan screw M3×4		
27		Pan screw with washer M4×8		
28		Hex. socket bolt with washer M5×15 (With adhesion)	2/H	
29		Hex. socket bolt with washer M5×10 (With adhesion)	4/H	
30		Hex. socket bolt M4×6		
31		Hex. socket bolt with washer M5×20 (With adhesion)	2/H	
32		Hex. socket bolt M4×15		
33		Screw (SM9/64 40×10)		

From the library of: Diamond Needle Corp

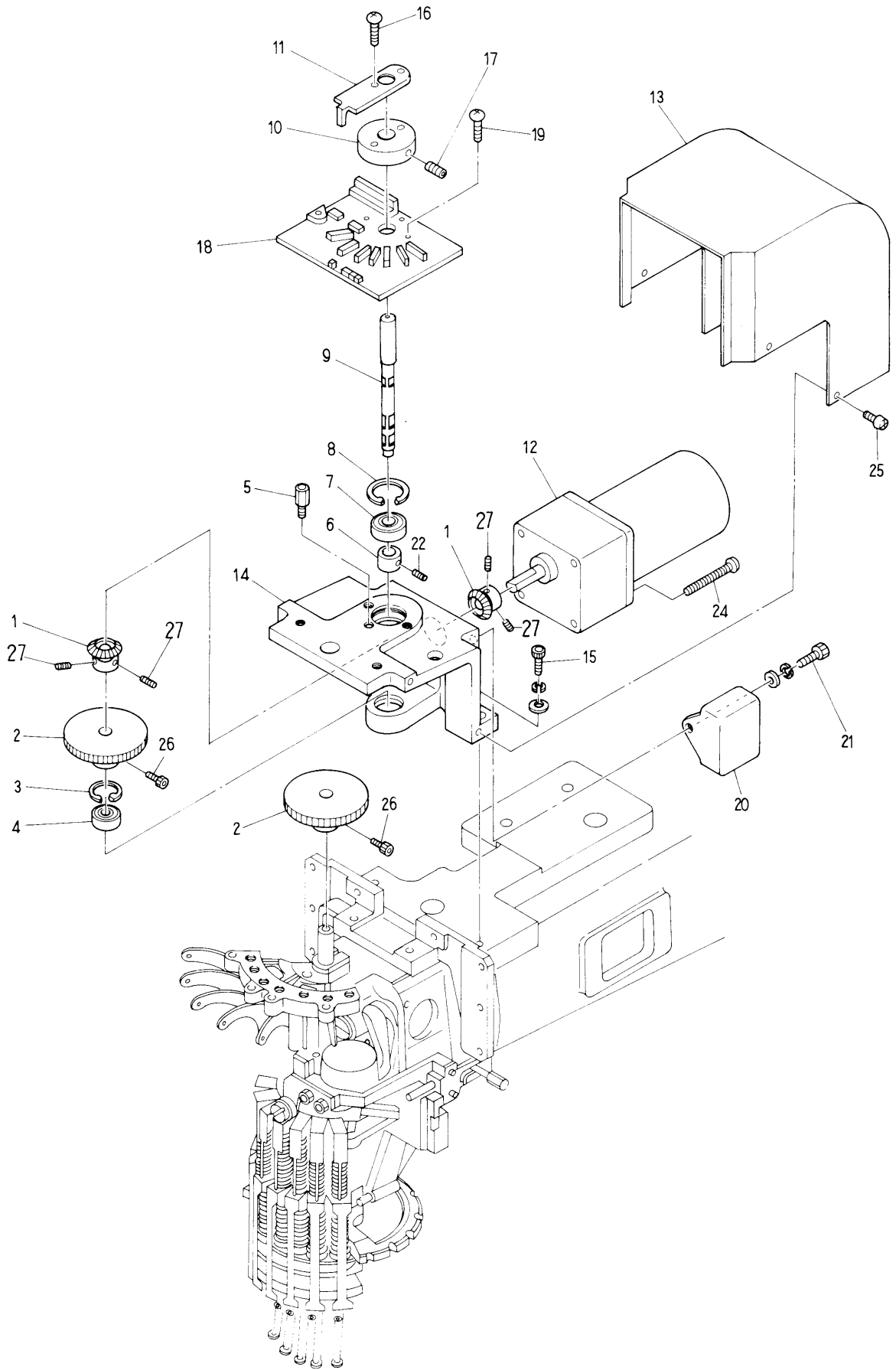
Barudan

⑪ Thread guide mechanism
(Head with color change mechanism)

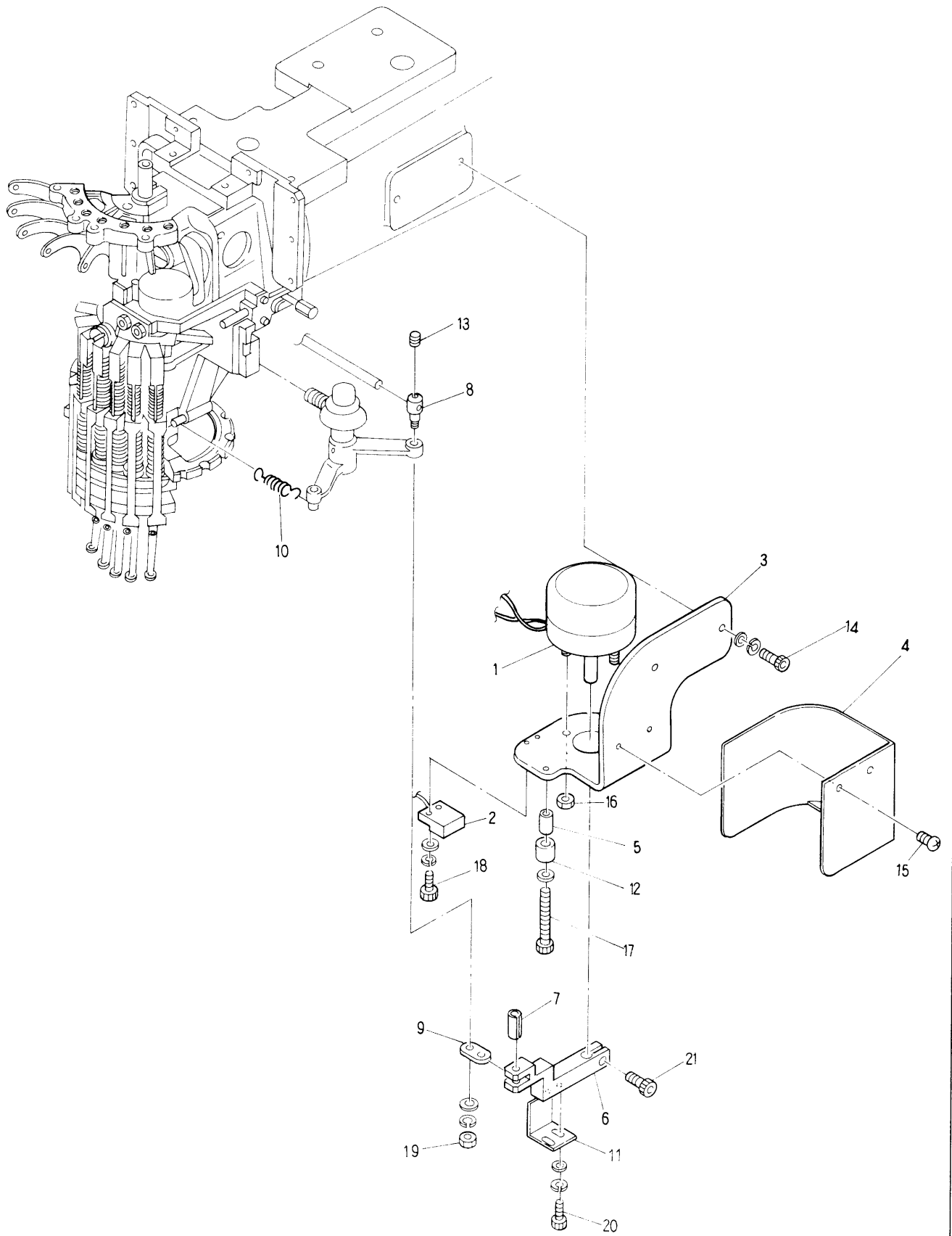


From the library of: Diamond Needle Corp

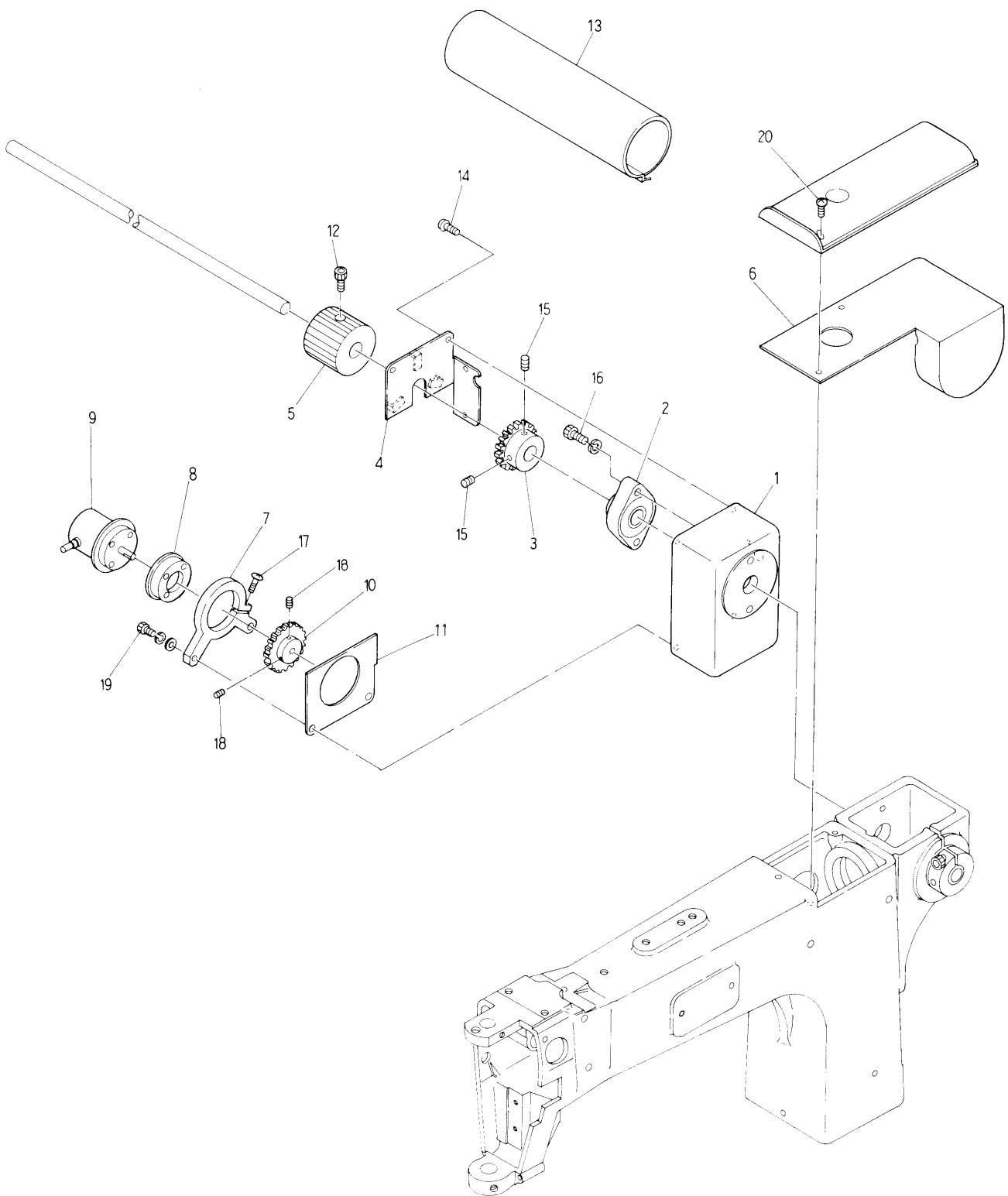
MODEL BEATME 902 904 906 908 -YS



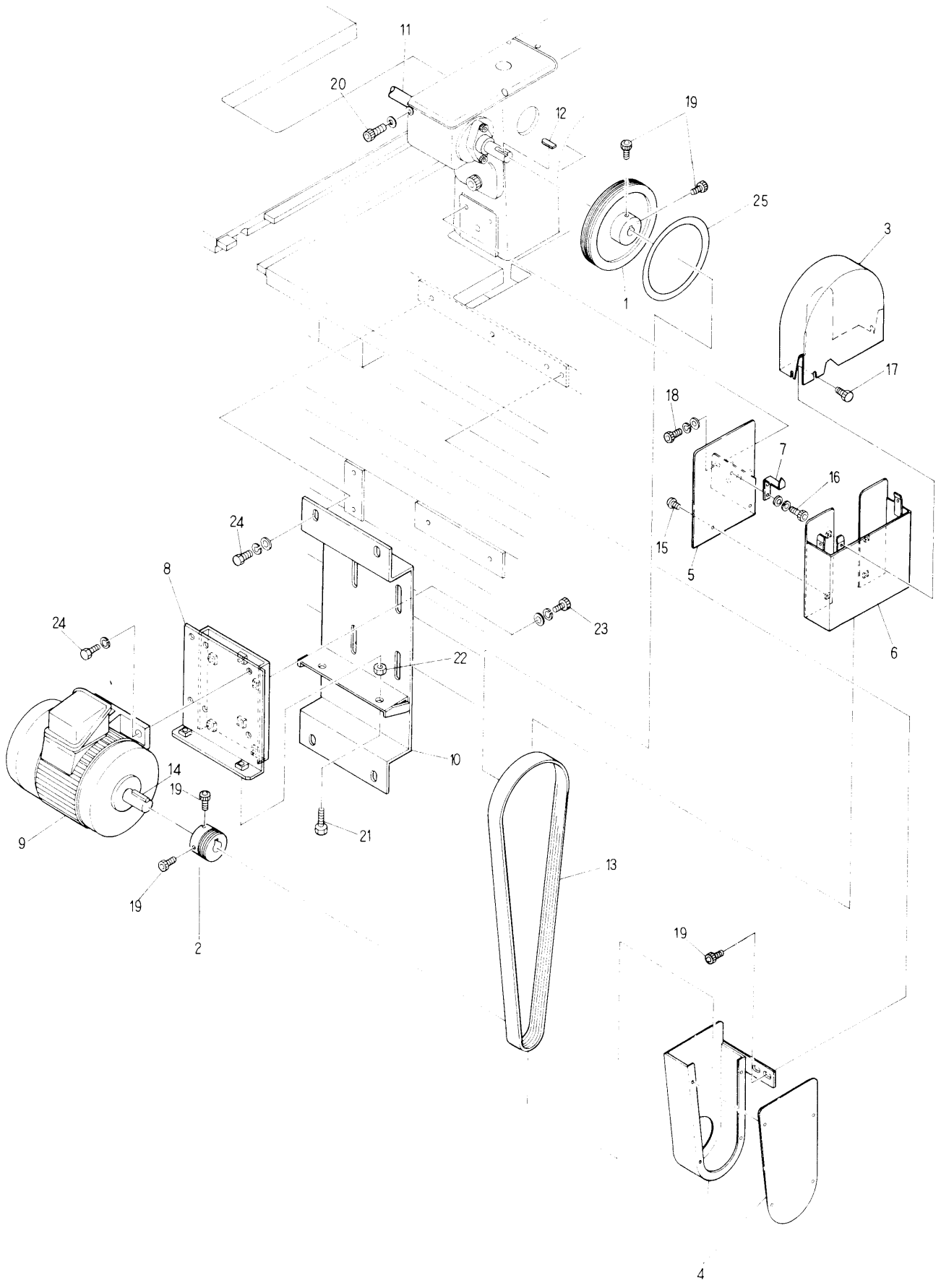
From the library of: Diamond Needle Corp



From the library of: Diamond Needle Corp



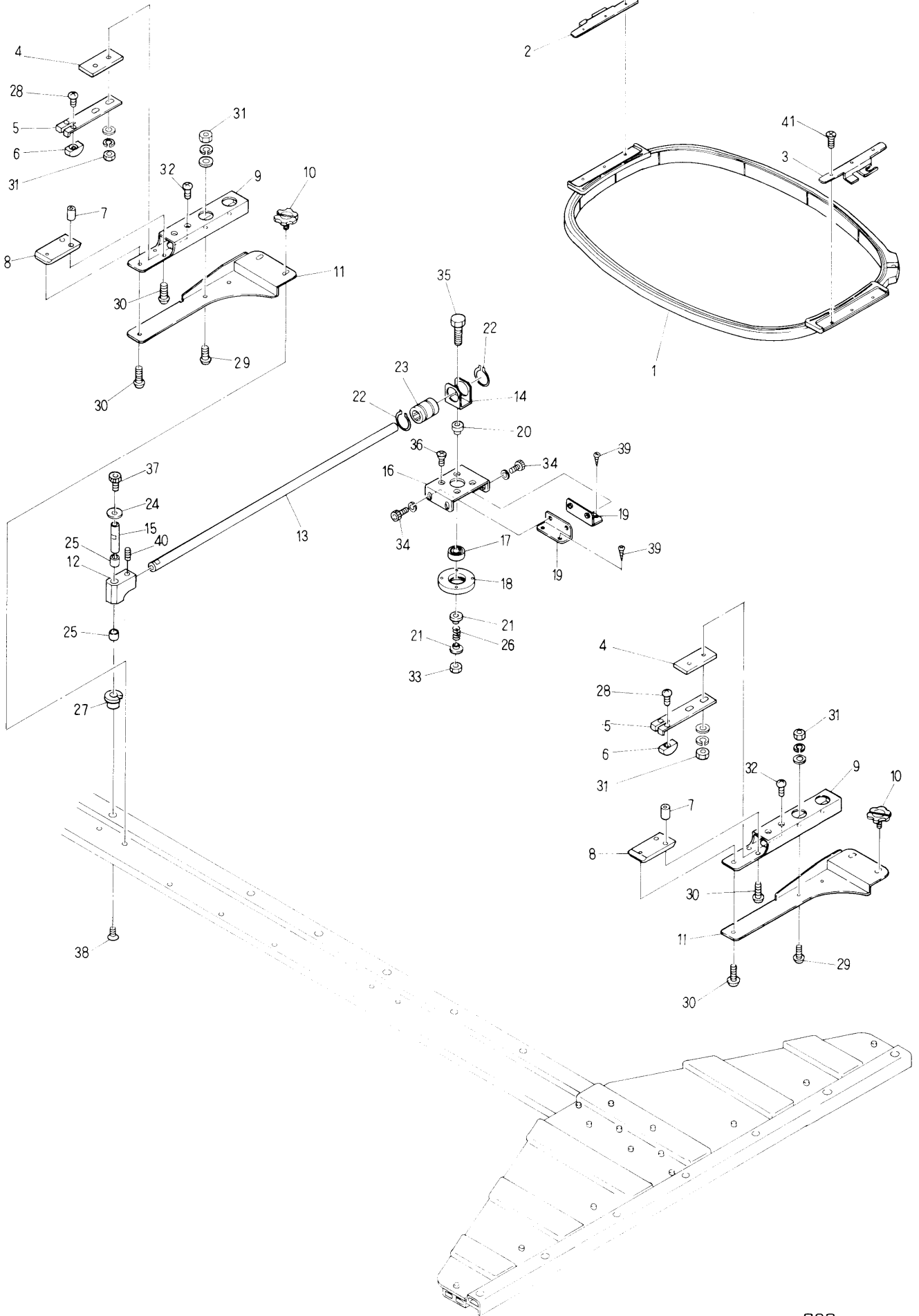
From the library of: Diamond Needle Corp



From the library of: Diamond Needle Corp

Barudan

⑩ Pantograph drive mechanism I
(Pantograph, Cover)



From the library of: Diamond Needle Corp

MODEL BEATME 8002
8004
8008 -YS

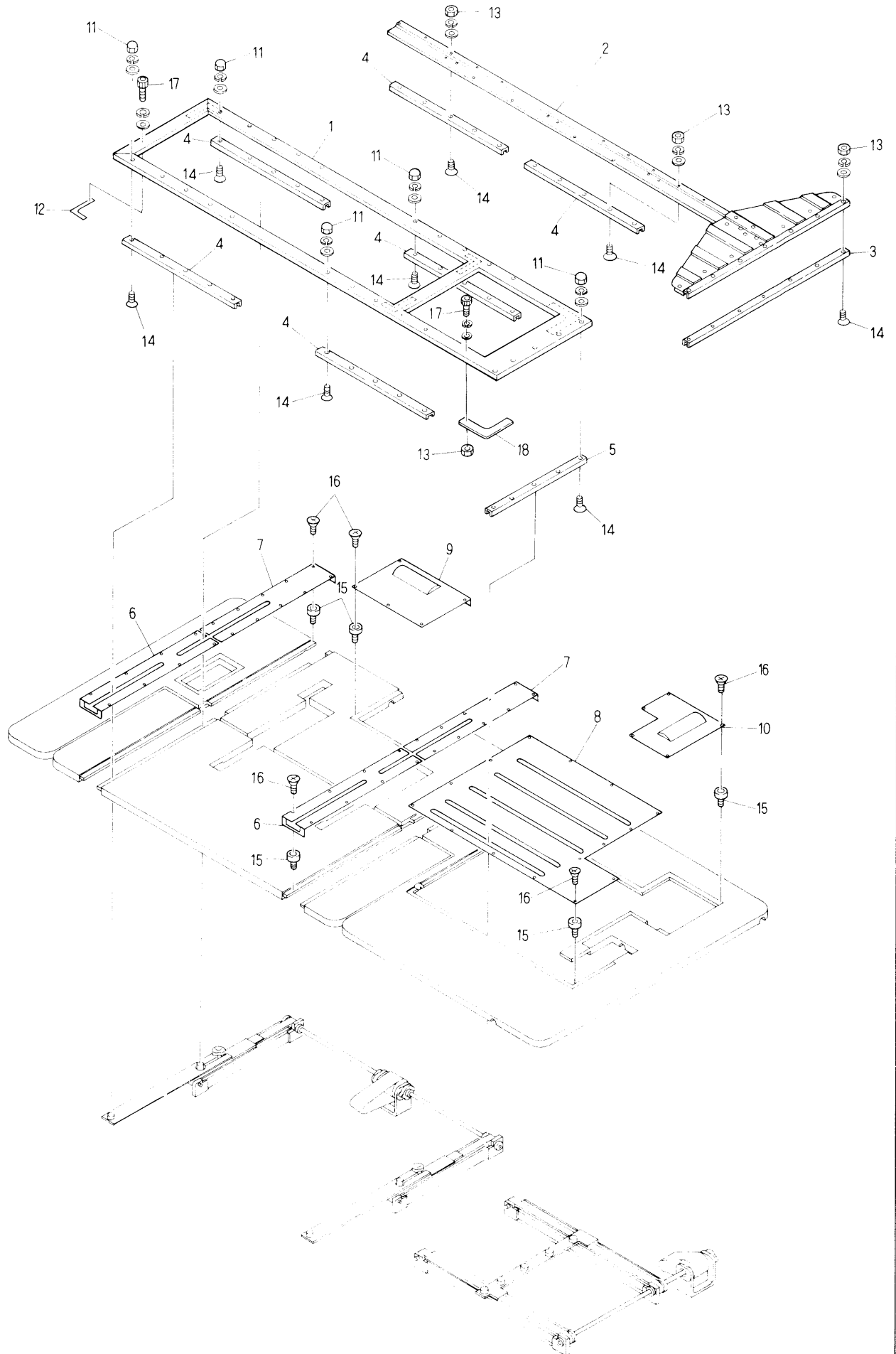
⑩ Pantograph drive mechanism I (Pantograph, Cover)

ITEM	LIST No	DESCRIPTION	Q'TY	REMARK
1	FR92300290A	Square pantograph 320×290	2	904... 4, 906... 6, 908... 8
2	FR600528	Metal for allot wood frame (No.1) R	2	904... 4, 906... 6, 908... 8
3	FR600529	Metal for allot wood frame (No.1) L	2	904... 4, 906... 6, 908... 8
4	HS460200	Fixing spacer	3	904... 5, 906... 7, 908... 9
5	HS460030	Frame fixing spring No.2	3	904... 5, 906... 7, 908... 9
6	HS460050	Frame fixing block	6	904...10, 906...14, 908...18
7	HS460210	Frame fixing the position pin	6	904...10, 906...14, 908...18
8	KK460130	Frame slide plate	3	904... 5, 906... 7, 908... 9
9	KK460050	Fixing base	3	904... 5, 906... 7, 908... 9
10	HS730000	Knurling screw for pantograph	6	904...10, 906...14, 908...18
11	KK460061	Fixing stay	3	904... 5, 906... 7, 908... 9
12	KK460070	Rotation block	2	904... 3, 906... 4, 908... 5
13	KK460090	Pantograph set driving shaft	2	904... 3, 906... 4, 908... 5
14	KK460040	Bush fixing bracket	2	904... 3, 906... 4, 908... 5
15	KK460080	Rotation shaft B	2	904... 3, 906... 4, 908... 5
16	KK460010	Pantograph set base (Upper)	2	904... 3, 906... 4, 908... 5
17	A9010036	Bearing (6900ZZ)	2	904... 3, 906... 4, 908... 5
18	KK460031	Bearing set plate	2	904... 3, 906... 4, 908... 5
19	KK460000	Pantograph set base (Lower)	4	904... 6, 906... 8, 908...10
20	KK460020	Rotation shaft A	2	904... 3, 906... 4, 908... 5
21	KK460120	Spring set plate	4	904... 6, 906... 8, 908...10
22	A9012064	C-Ring (For shaft) 21	4	904... 6, 906... 8, 908...10
23	A9011131	Slide bush SM12GUU	2	904... 3, 906... 4, 908... 5
24	A9012164	Thrust washer R-TW0815	2	904... 3, 906... 4, 908... 5
25	A9011132	DU Bush MB0805	4	904... 6, 906... 8, 908...10
26	KK460140	Pantograph set base	4	904... 3, 906... 4, 908... 5
27	A9012264	DU Bush (MB0808-15FDU)	2	904... 3, 906... 4, 908... 5
28		Truss screw M3×3		
29		Truss screw M3×7		
30		Truss screw M3×5		
31		Hex, nut M3		
32		Truss screw M3×10		
33		U-Nut M5		
34		Hex, socket bolt M5×10		
35		Hex, bolt 卜 M5×25		
36		Flush screw M4×10		
37		Hex, socket bolt M4×8		
38		Flush screw M4×12		
39		Bind tapping screw 4.5×24		
40		Hex, socket set screw M6×8		
41		Flush screw M3×6		

From the library of: Diamond Needle Corp

Barudan

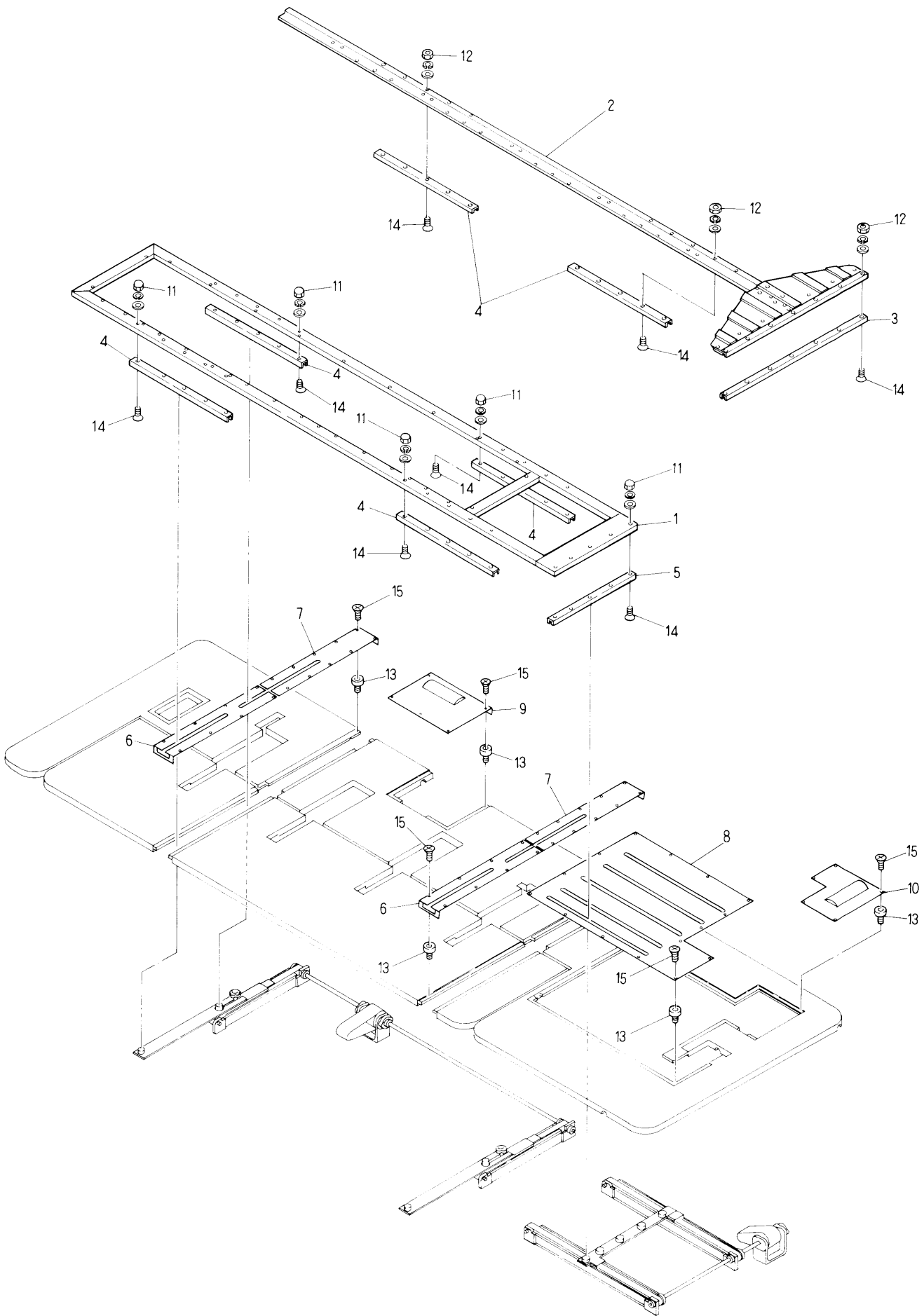
⑰ Pantograph drive mechanism II
(T-Pantograph relation) <902>



From the library of: Diamond Needle Corp

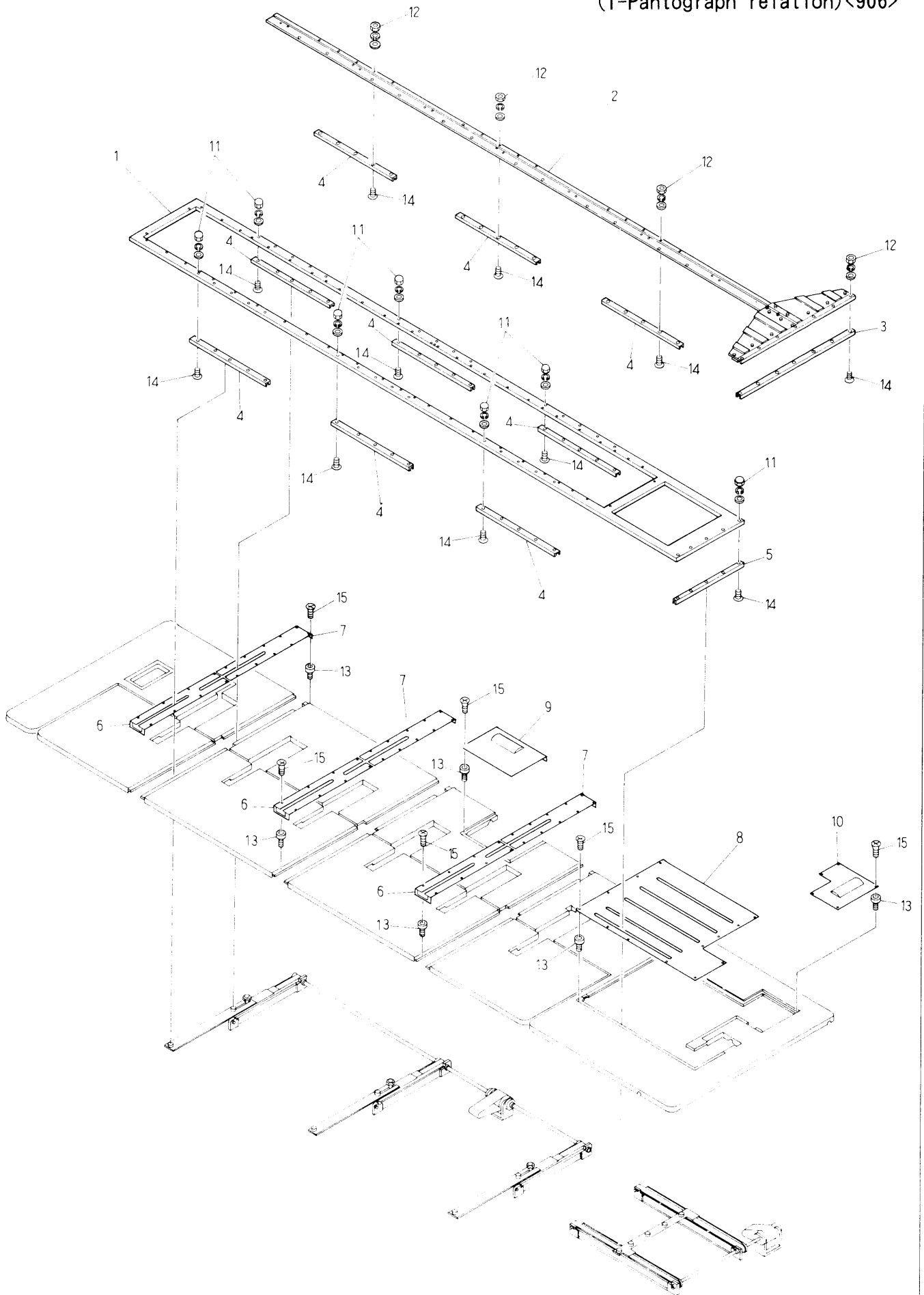
MODEL BEATME 9022
9042
9068
9088 -YS

⑰ Pantograph drive mechanism II
(T-Pantograph relation) <904>



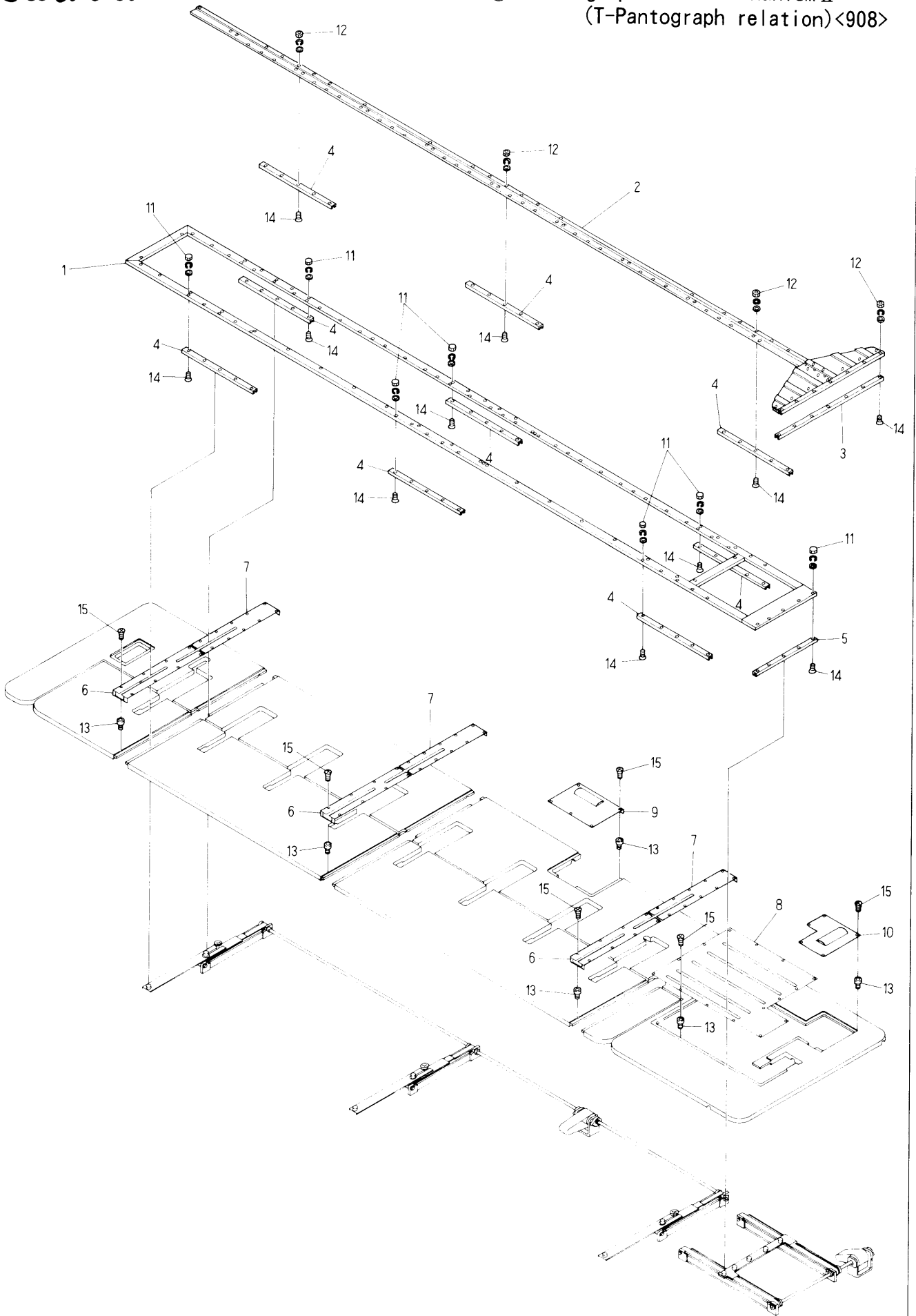
From the library of: Diamond Needle Corp

⑰ Pantograph drive mechanism II
(T-Pantograph relation) <906>

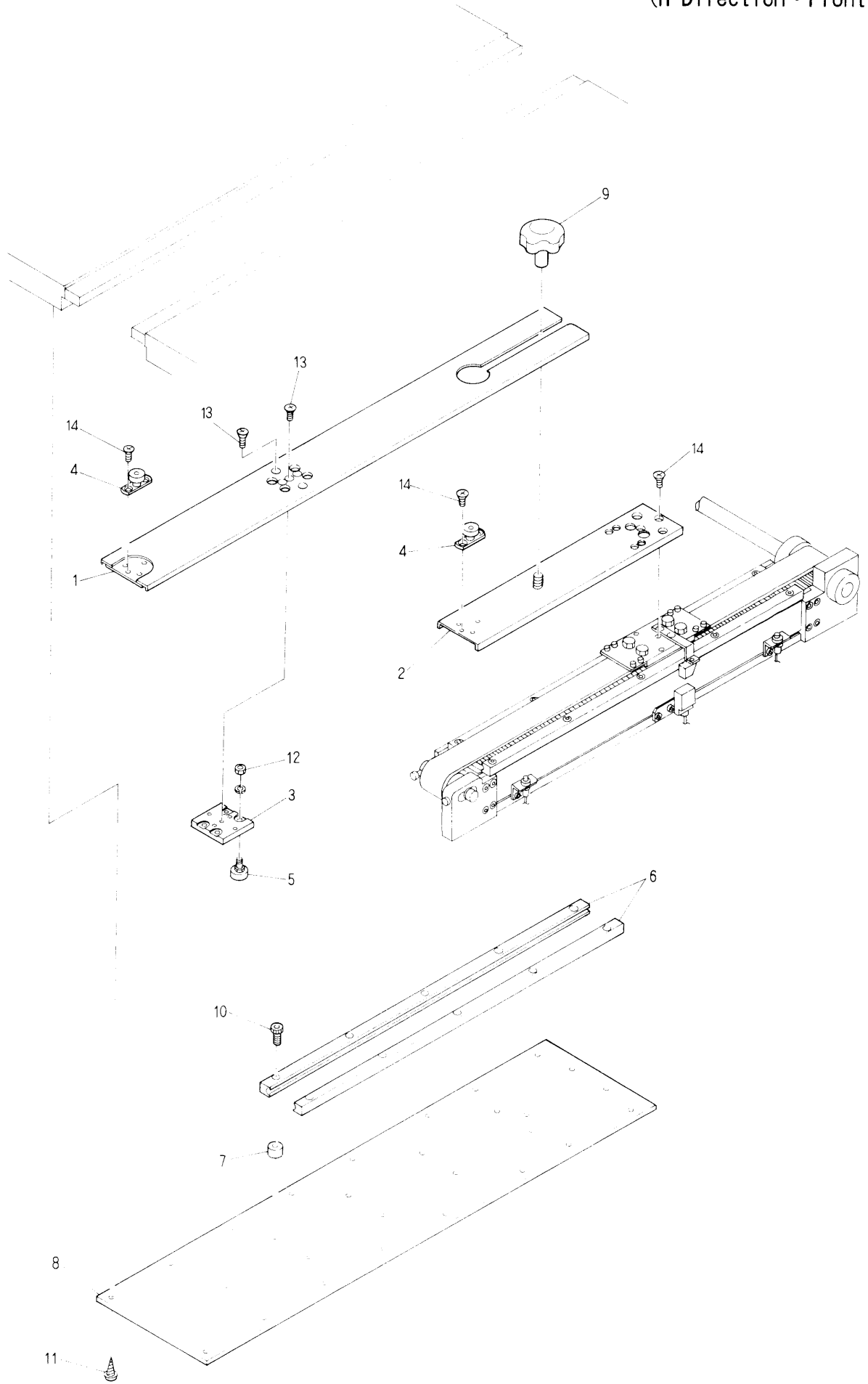


From the library of: Diamond Needle Corp

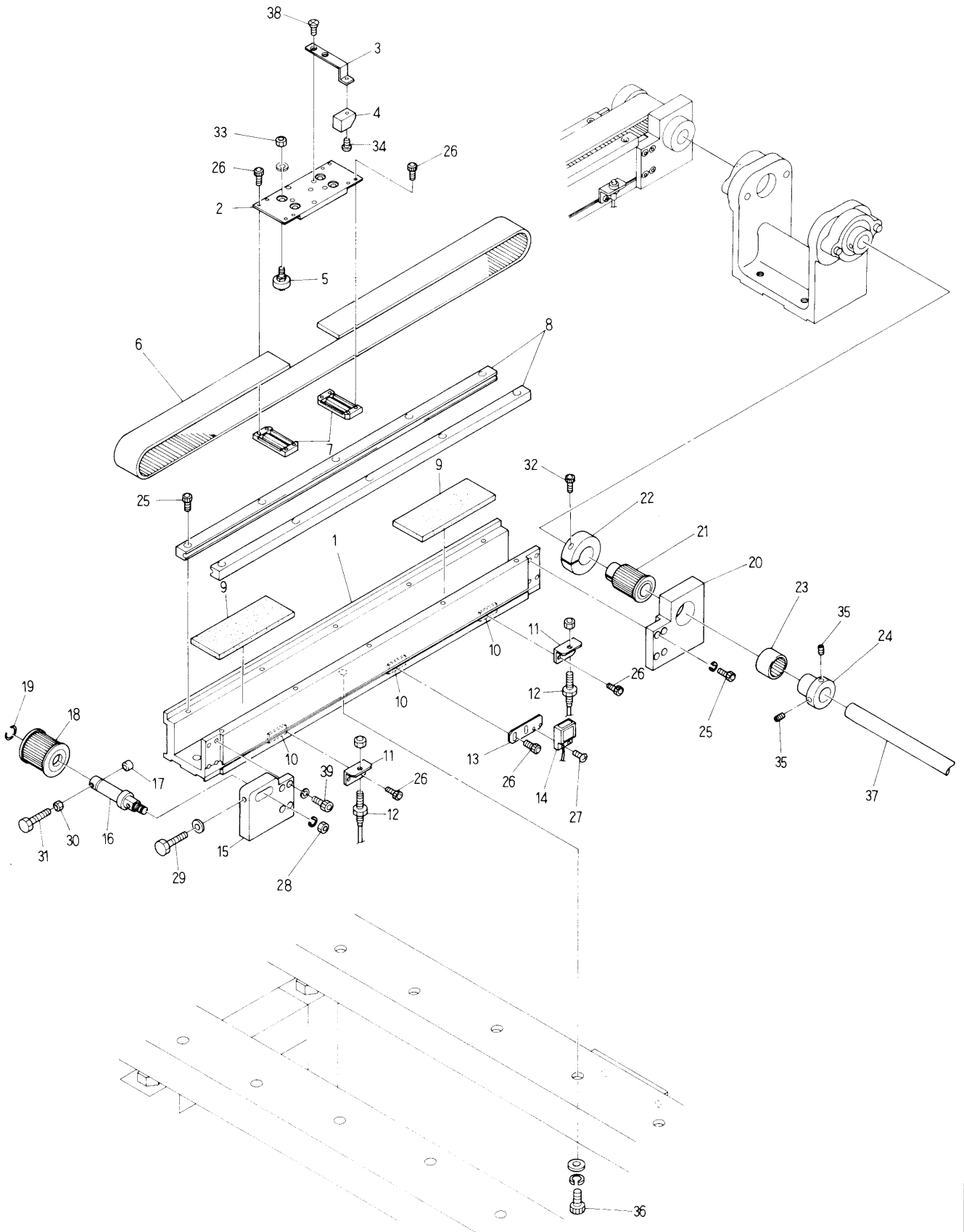
⑰ Pantograph drive mechanism II
(T-Pantograph relation) <908>



From the library of: Diamond Needle Corp



From the library of: Diamond Needle Corp



From the library of: Diamond Needle Corp

⑱ Pantograph drive mechanismIV(H-Direction · Rear)

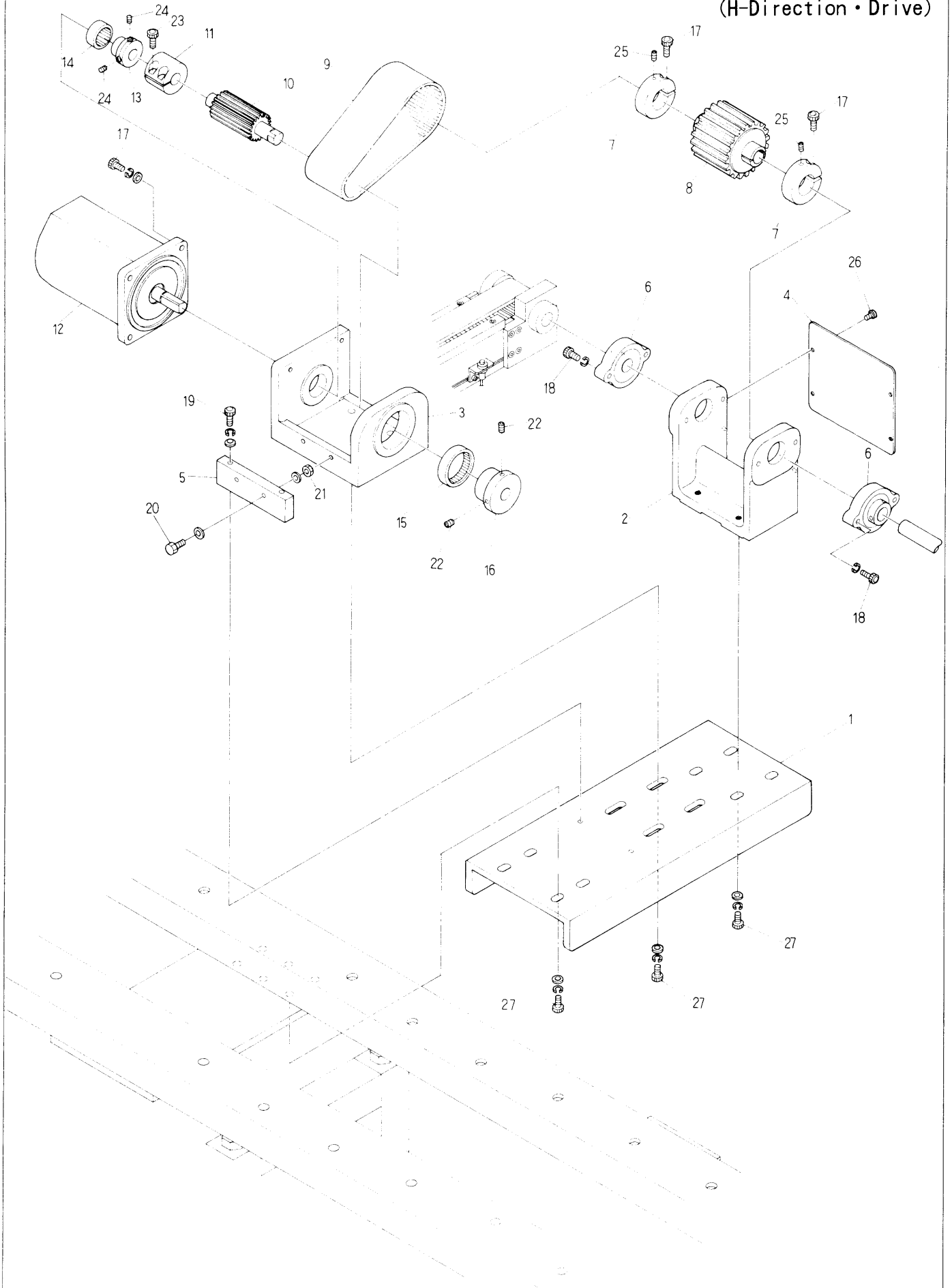
(R=H-Rail Q'TY)

ITEM	LIST No.	DESCRIPTION	Q'TY	REMARK
1	KR480260	H-Guide rail base (Stroke 320)	R×1	
2	KR480240	H-Roller base (Rear)	R×1	
3	KR480160	H-Pantograph origin point magnet bracket	1	
4	A9052030	Magnet M-102 A-02	1	
5	HP482950	Roller pin a'ssy A	R×4	
6	KR480290	Timing belt T10-30-104	R×1	
7	KR480030	Timing belt set rack	R×2	
8	KK480110	V-Guide rail	R×2	
9	KN480061	Rail base felt (100×38×6)	R×2	
10	KU460270	Plate nut (M3)	3	
11	MT460240	RS-001 Bracket (V)	2	
12	A9052024	Switch RS-001	2	
13	KN450300	MH-601A Proximity switch fixing bracket	1	
14	A9052031	Magnet proximity switch (MH-601A)	1	
15	KR480060	H·V-Guide front pulley bracket	R×1	
16	HH481991	Timing pulley shaft	R×1	
17	HH482110	Pulley shaft bolt cap	R×1	
18	KR480000	Pantograph driving pulley (Front)	R×1	
19	A9012052	E-Ring (φ10)	R×1	
20	KR480050	H·V-Guide rear pulley bracket	R×1	
21	KR480010	Pantograph driving pulley (Rear)	R×1	
22	HH481980	Clamping φ19	R×1	
23	A9011110	Needle braring (HK2016)	R×1	
24	HH481970	Pulse motor connecting shaft collar	R×1	
25		Hex, socket bolt M4×15		
26		Hex, socket bolt M3×6		
27		Truss screw M3×10		
28		Hex, nut M8		
29		Hex, bolt M4×25		
30		Hex, nut M4		
31		Hex, bolt M4×40		
32		Hex, socket bolt M5×18		
33		Hex, nut M5		
34		Truss screw M3×6		
35		Hex, socket set screw M5×8		
36		Hex, socket bolt M8×20		
37	KR470010	H-Pulse motor connecting shaft (BEATME-902, 320×520/520)	1	
	KR470030	H-Pulse motor connecting shaft (BEATME-904, 320×520/520)	1	
	KR470000	H-Pulse motor connecting shaft (BEATME-906, 320×520/520)	1	
	KR470020	H-Pulse motor connecting shaft (BEATME-908, 320×520/520)	1	
38		Flush screw M4×8		
39		Hex, socket bolt M4×18		

From the library of: Diamond Needle Corp

Barudan

⑳ Pantograph drive mechanism V
(H-Direction • Drive)

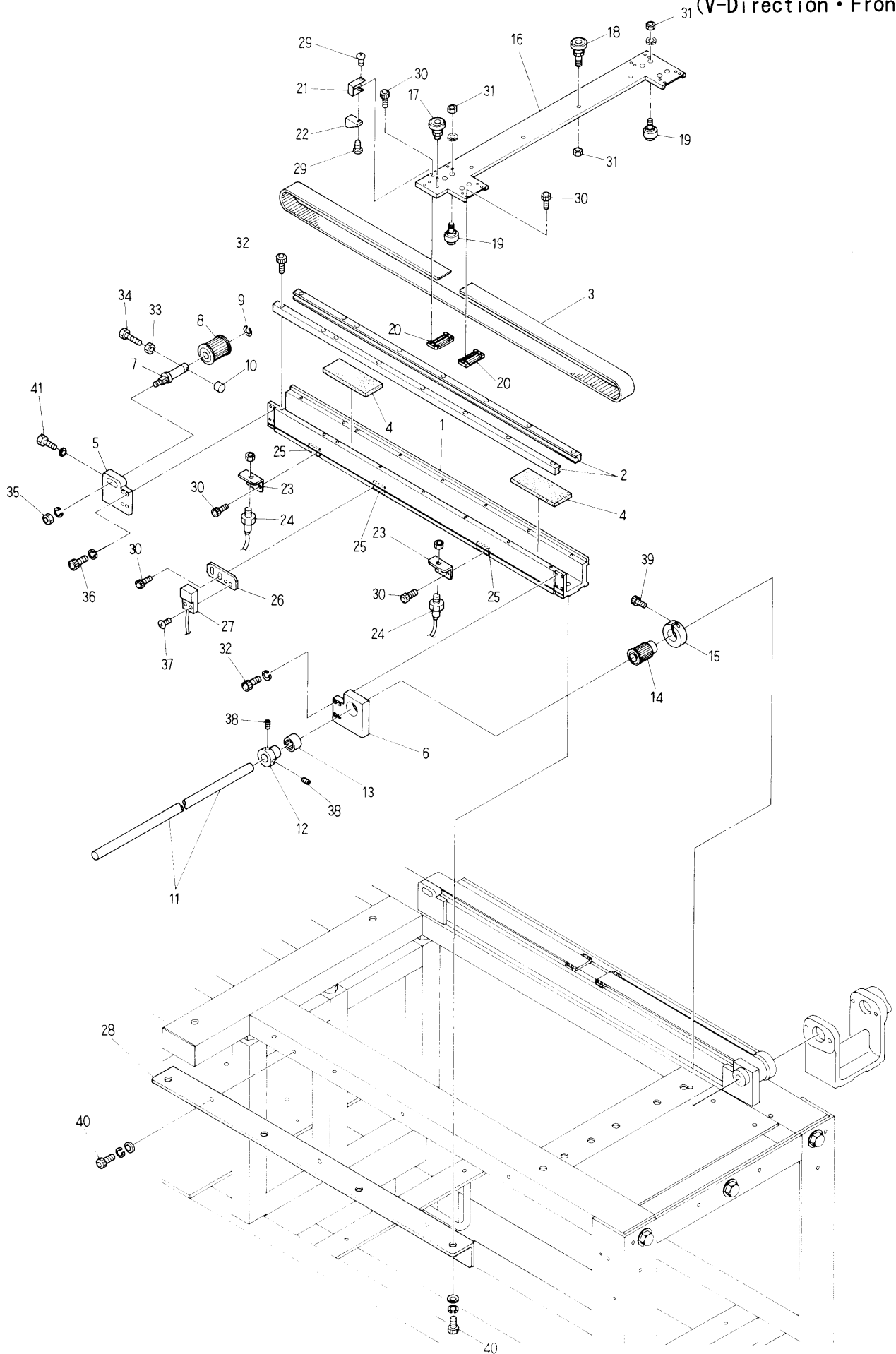


From the library of: Diamond Needle Corp

MODEL BEATME 902 -YS
904
906
908

Barudan

21 Pantograph drive mechanism VI
(V-Direction • Front)



From the library of: Diamond Needle Corp

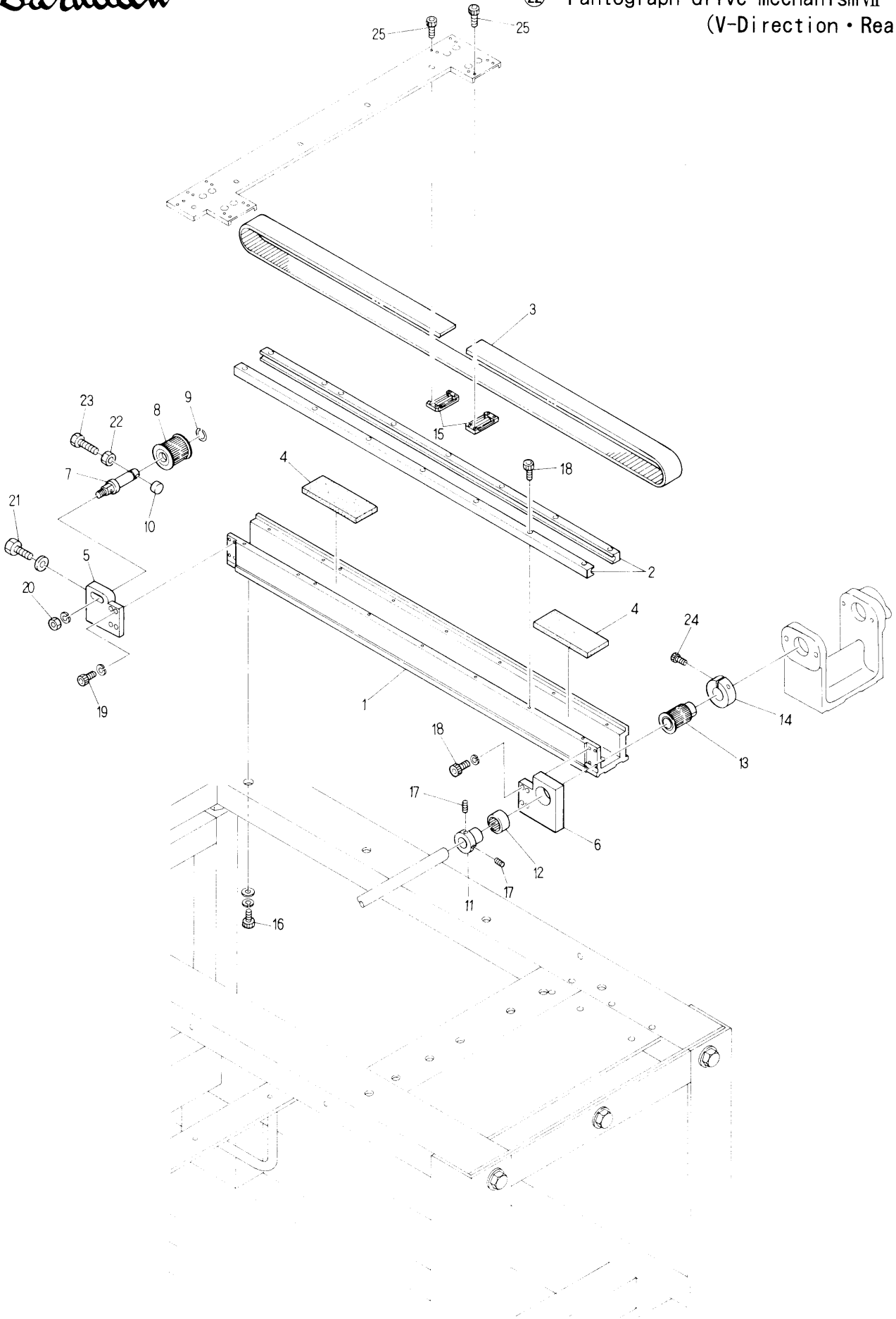
②1 Pantograph drive mechanismVI(V-Direction · Front)

ITEM	LIST No.	DESCRIPTION	Q'TY	REMARK
1	KR480210	V-Guide rail base	1	
2	KN483450	V-Guide rail (L=660)	2	
3	KR480280	Timing belt (T10-30-153)	1	
4	KN480061	Rail base felt (100×38×6)	2	
5	KR480060	H·V-Guide front pulley bracket	1	
6	KR480050	H·V-Guide front pulley bracket	1	
7	HH481991	Timing pulley shaft	1	
8	KR480000	Pantograph driveing pulley (Front)	1	
9	A9012052	E-Ring (φ10)	1	
10	HH482110	Pulley shaft bolt cap	1	
11	KR490000	V-Pulse motor shaft	1	
12	HH481970	Pulse motor connecting shaft collar	1	
13	A9011110	Needle bearing (HK2016)	1	
14	KR480010	Pantograph driveing pulley (Rear)	1	
15	HH481980	Clamping φ19	1	
16	KR480220	V-Roller base	1	
17	HP483370	Guide rail bearing pin a'ssy	1	
18	HP483111	Guide rail bearing pin a'ssy B	4	
19	HP482950	Roller pin a'ssy A	8	
20	KR480030	Timing belt set rack	2	
21	KN450311	V-Pantograph origin point magnet bracket	1	
22	A9052030	Magnet M-102A-02	1	
23	MT460240	RS-001 Bracket (V)	2	
24	A9052024	Switch RS-001	2	
25	KU460270	Plate nut (M3)	3	
26	KN450300	MH-601A Proximity switch fixing bracket	1	
27	A9052031	Magnet proximity switch (MH-601A)	1	
28	KR480070	V-Guide rail base bracket	1	
29		Truss screw M3×6		
30		Hex, socket bolt M3×6		
31		Hex, nut M5		
32		Hex, socket bolt M4×15		
33		Hex, nut M4		
34		Hex, bolt M4×40		
35		Hex, nut M8		
36		Hex, socket bolt M4×18		
37		Truss screw M3×10		
38		Hex, socket set screw M5×8		
39		Hex, socket bolt M5×18		
40		Hex, socket bolt M8×20		
41		Hex, bolt M4×25		

From the library of: Diamond Needle Corp

Barudan

②② Pantograph drive mechanism VII
(V-Direction • Rear)

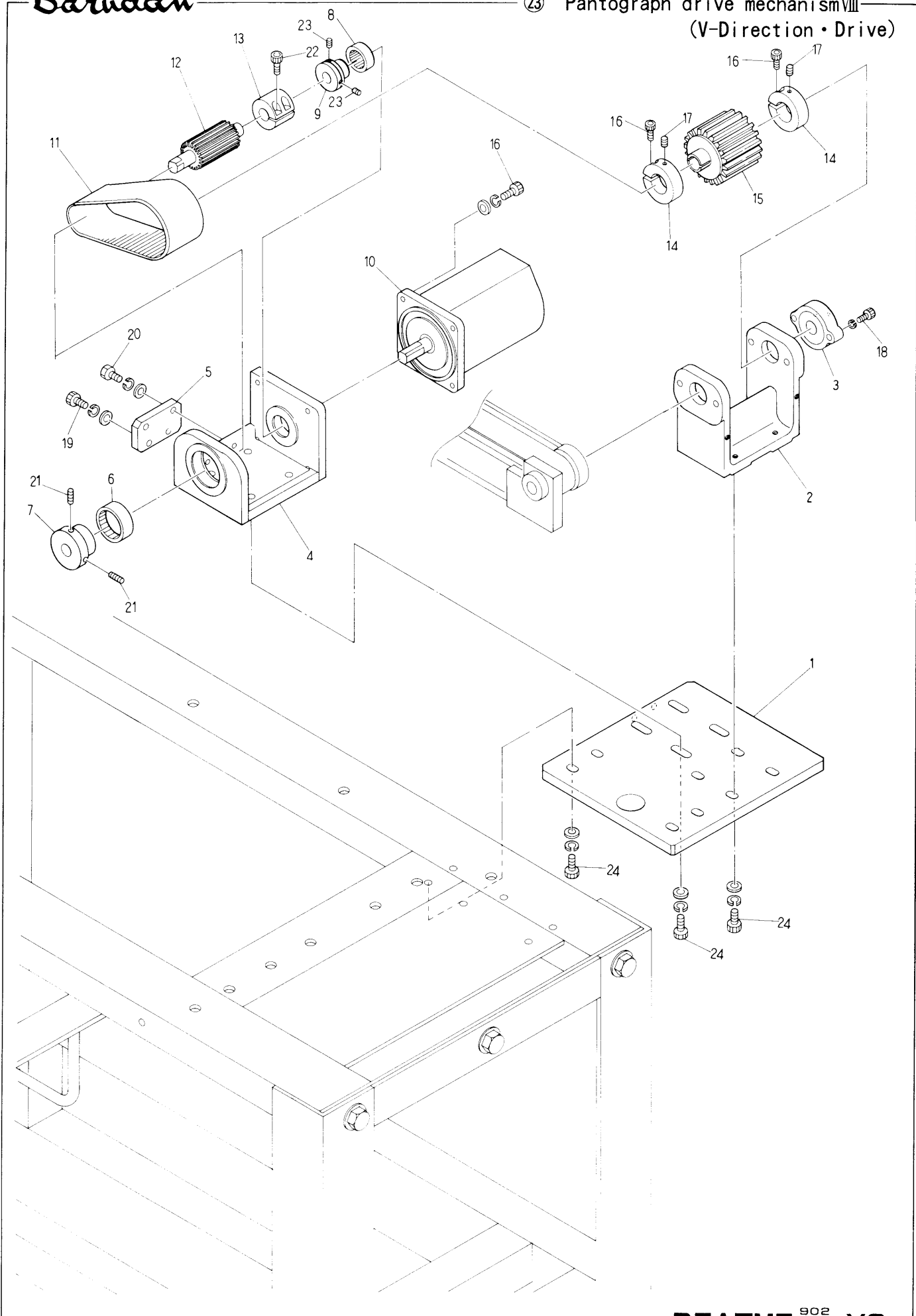


From the library of: Diamond Needle Corp

MODEL BEATME 9002 -YS
9004
9006
9008

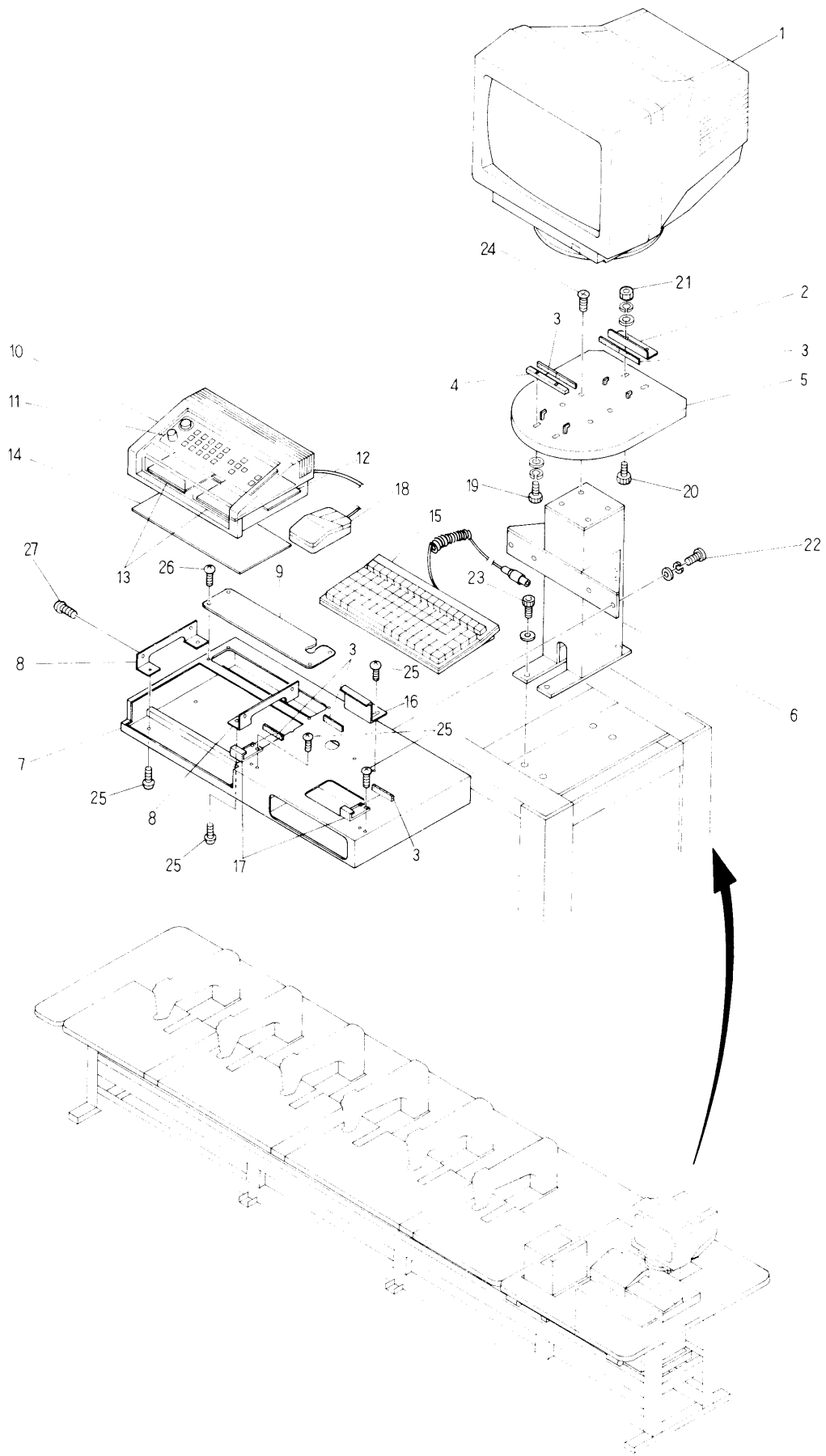
Barudan

②③ Pantograph drive mechanism VIII
(V-Direction Drive)

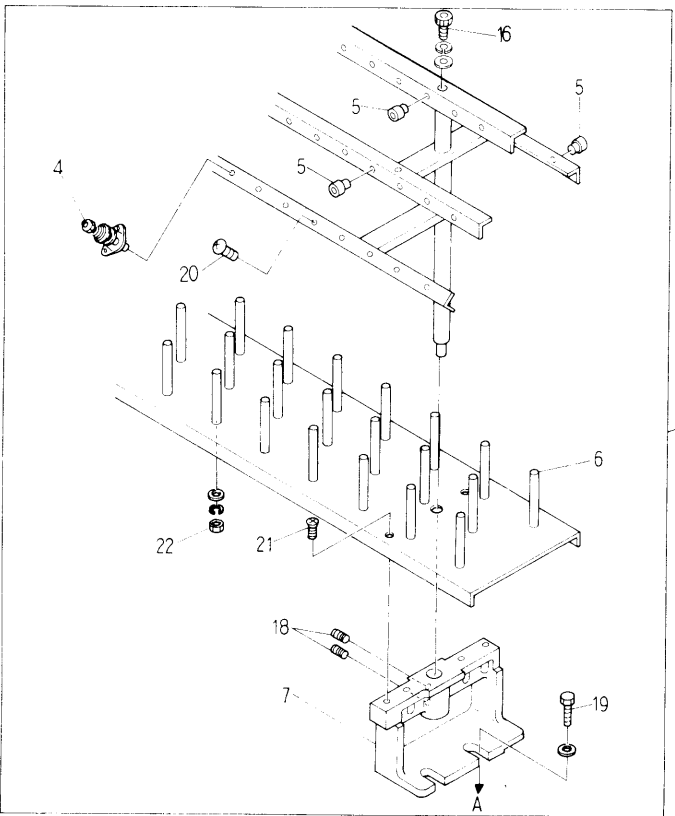
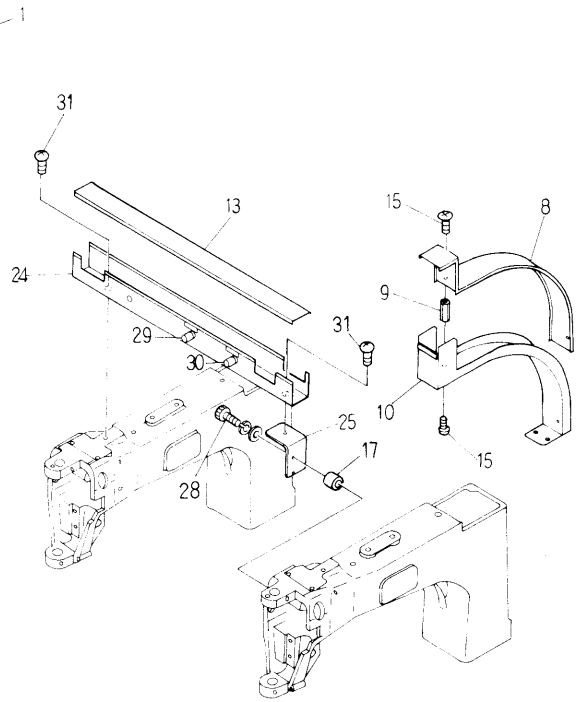
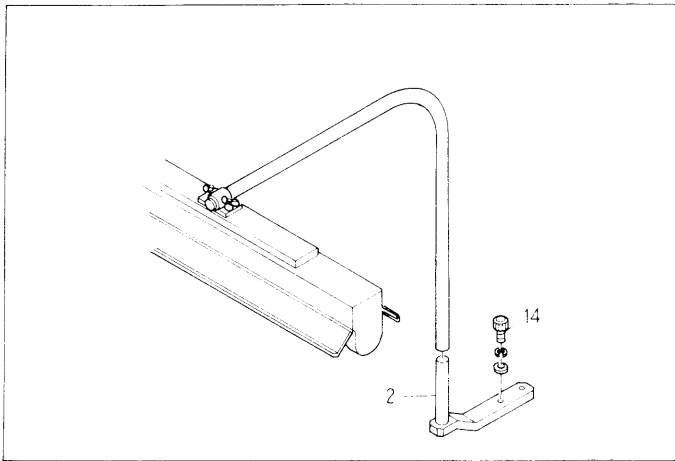


From the library of: Diamond Needle Corp

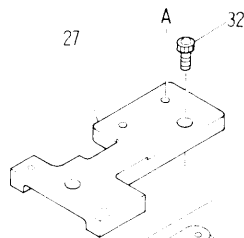
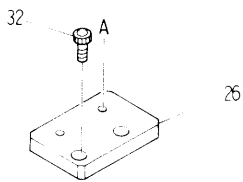
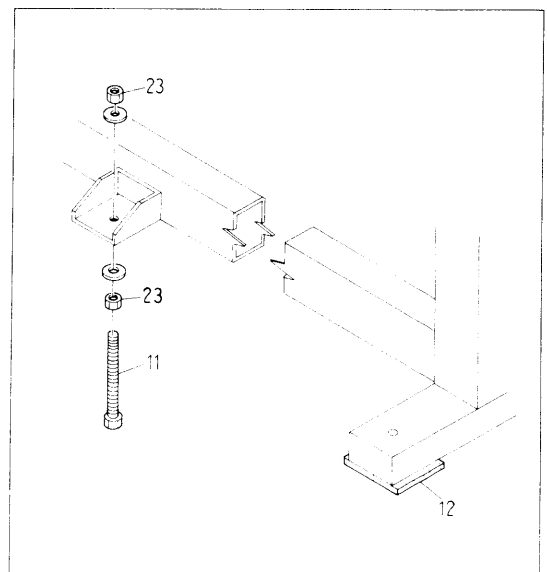
MODEL BEATME 902
904
906
908 -YS



From the library of: Diamond Needle Corp



3



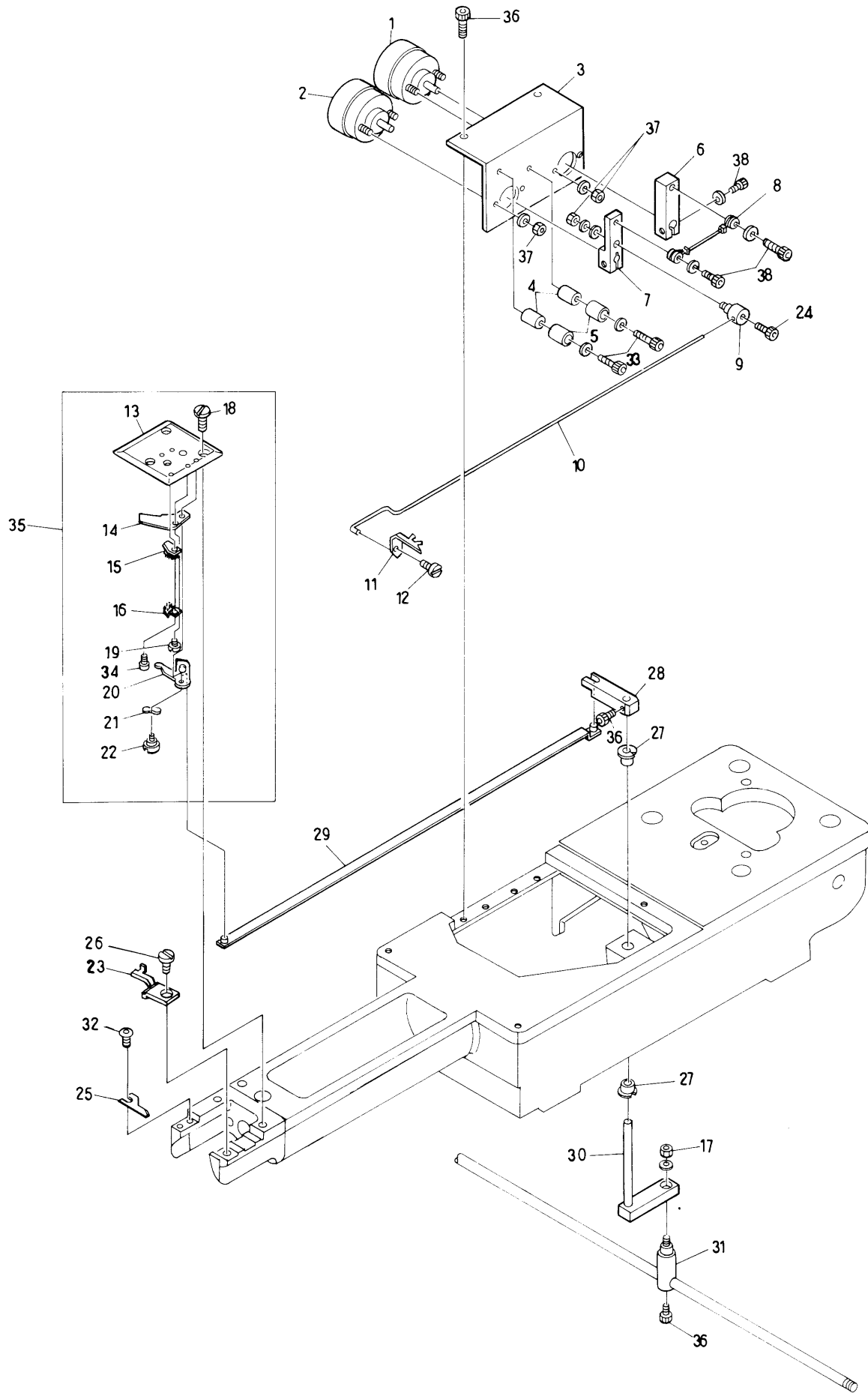
From the library of: Diamond Needle Corp

②6 Option

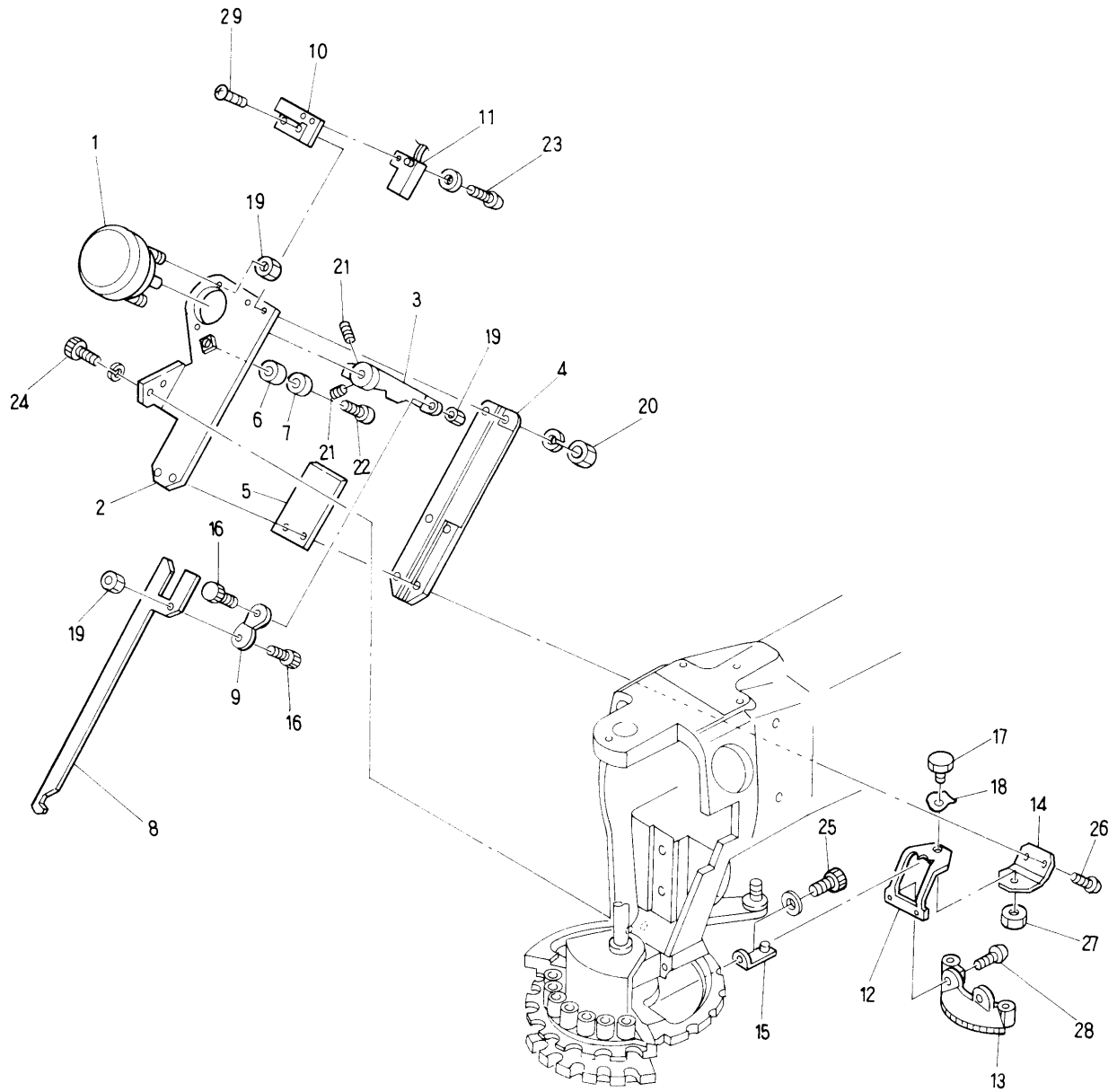
ITEM	LIST No	DESCRIPTION	Q'TY	REMARK
1	KF710300	Fluorescent lamp set LRP 4012K 15/16LG (904,906 100V)	1	
	KF710100	Fluorescent lamp set LRP 4012K 25LG (904,906 200V)	1	
	HH710300	Fluorescent lamp set LRP 4013K 15/16LG (908 100V)	1	
	HH710100	Fluorescent lamp set LRP 4013K 25LG (908 200V)	1	
2	KG710161	Fluorescent lamp stand base		904, 906...2 908...3
3	1HP02520	Spool holder (BEATME-902-YF)	1	
	1JP02520	Spool holder (BEATME-902-YS)	1	
	1HP04520	Spool holder (BEATME-904-YF)	1	
	1JP04520	Spool holder (BEATME-904-YS)	1	
	1HP06520	Spool holder (BEATME-906-YF)	1	
	1JP06520	Spool holder (BEATME-906-YS)	1	
	1HP08520	Spool holder (BEATME-908-YF)	1	
	1JP08520	Spool holder (BEATME-908-YS)	1	
4	HP241430	Second tension unit complete (D=13.5)		
5	KF240900	Thread guide ceramic (For spool stand)		
6	KF710280	Arm spool pin		
7	HP710791	Spool holder base		902, 904...2 906...4 908...5
8	KR510130	Cable duct No.4 Cover	1	
9	MT510791	Nut for cable duct	2	
10	KR510120	Cable duct No.4	1	
11		Hex, bolt M16×130		
12	KC110970	Machine base pad P1012 (100×100)	4	
13	KN510591	Cable duct cover L=1000		902...1 904...2 906...3 908...4
14		Hex, socket bolt M8×45		
15		Pan screw M4×6		
16		Hex, socket bolt M6×15		
17	KR330230	Bracket fixing collar	2	
18		Hex, socket set screw M5×8		
19		Hex, bolt M8×20		
20		Flush screw M5×6		
21		Flush screw M4×12		
22		Hex, nut M5		
23		Hex, nut M16		
24	1UKR02520	Duct cable (BEATME-902 P520)	1	
	1UKR04520	Duct cable (BEATME-904 P520)	1	
	1UKR06520	Duct cable (BEATME-906 P520)	1	
	1UKR08520	Duct cable (BEATME-908 P520)	1	
25	KR330020	Duct support bracket	1	
26	KR330160	Spool holder base		902, 904...1 906...3 908...4
27	KR330170	Spool holder base fixing base	1	
28		Hex, socket bolt M4×20		
29	A9052032	Push button switch SB-221N/0 ON Green		902...1 904...3 906...4 908...5
30	A9052036	Push button switch SB-221N/0 OFF Red		902...1 904...3 906...4 908...5

From the library of: Diamond Needle Corp

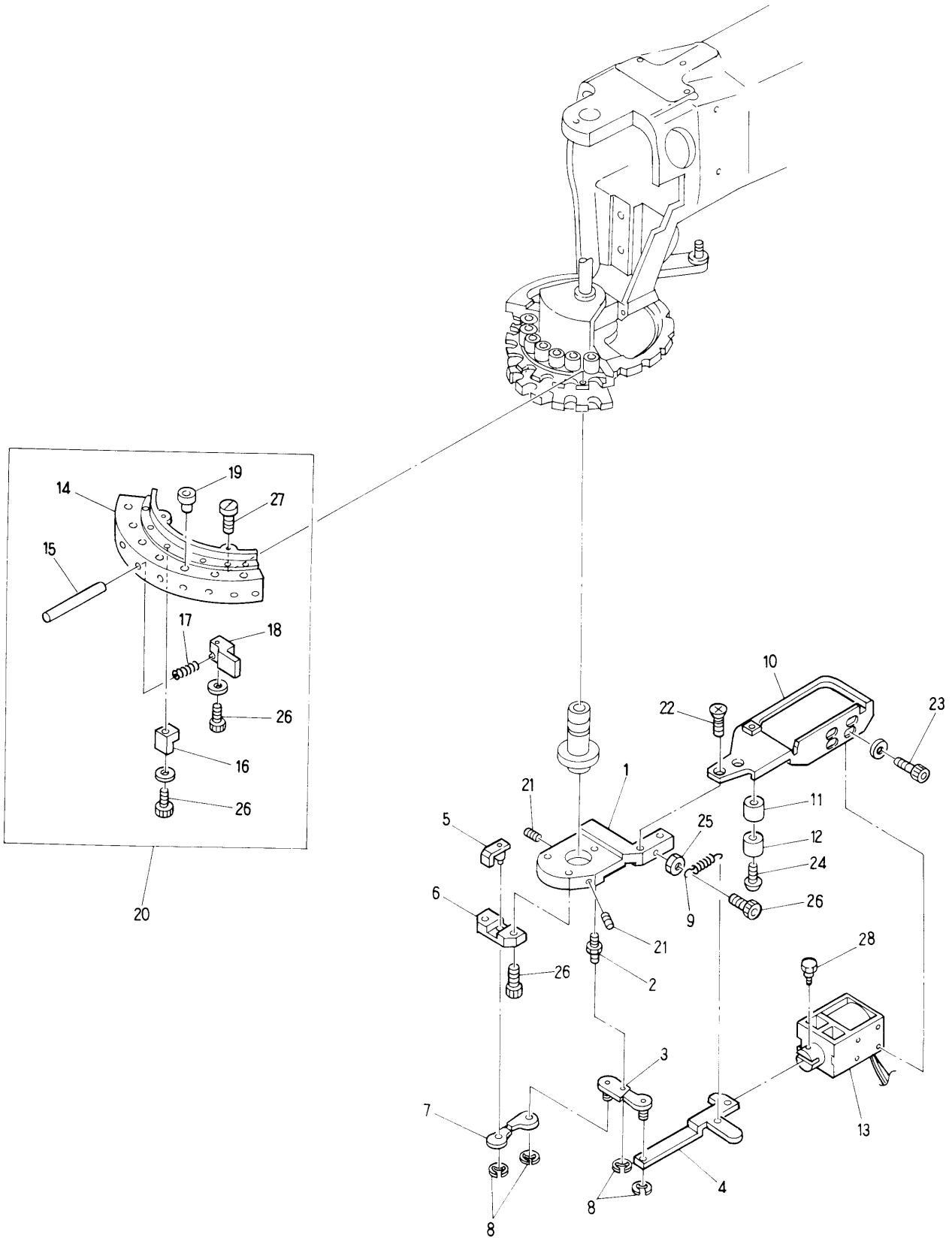
② Automatic thread cutting mechanism I
(Thread cutting section)



From the library of: Diamond Needle Corp



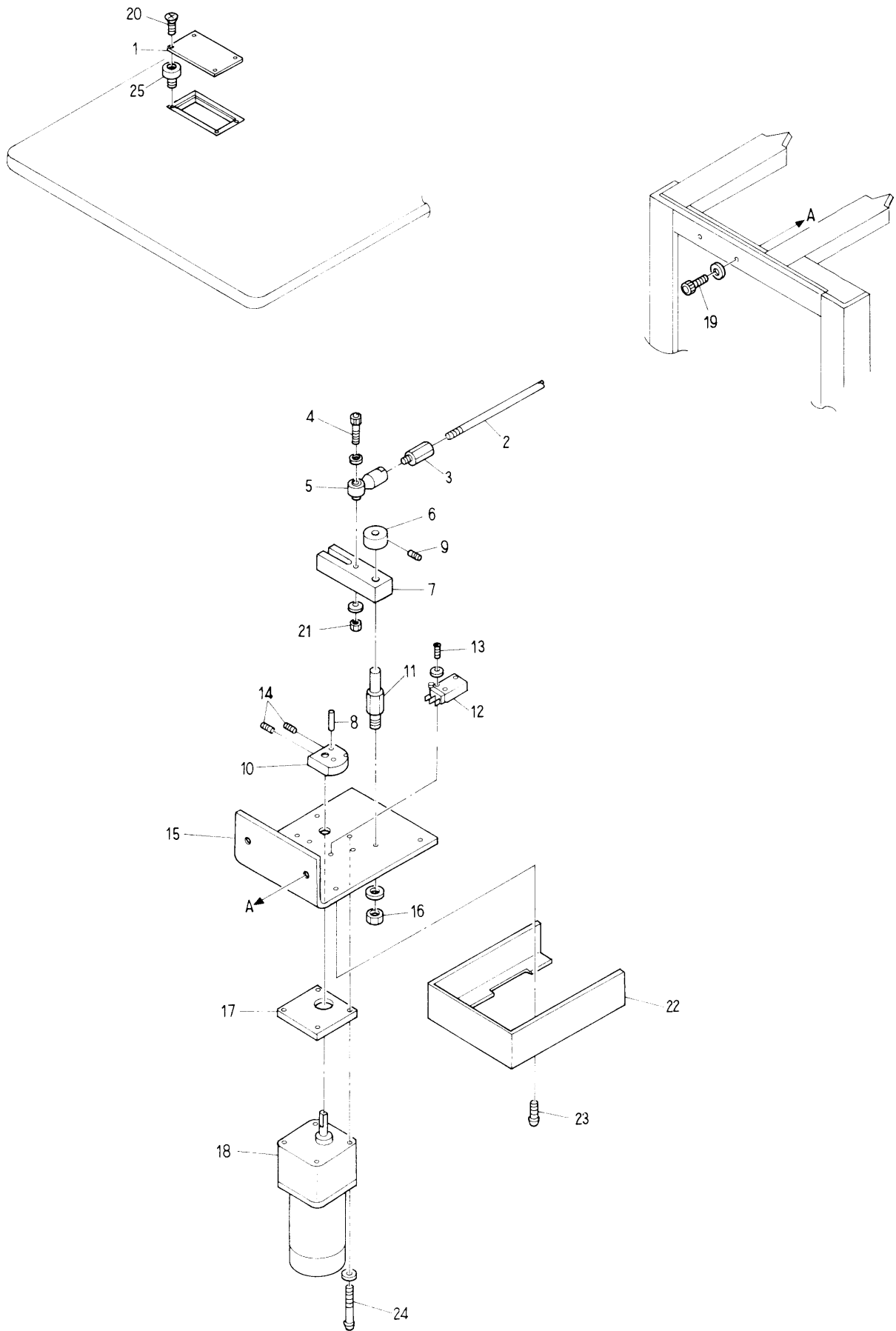
From the library of: Diamond Needle Corp



From the library of: Diamond Needle Corp

Barudan

③ Automatic thread cutting mechanism IV
(Drive section)



From the library of: Diamond Needle Corp

MODEL BEATME 902-YS
904
906
908

I N D E X

L I S T	No.	P A G E	No.	I T E M	L I S T	No.	P A G E	No.	I T E M
1AKR025205200		3		1	A 9 0 1 0 0 2 1		3 7		7
1AKR045205200		5		1	A 9 0 1 0 0 3 3		3 7		4
1AKR065205200		7		1	A 9 0 1 0 0 3 6		4 5		1 7
1AKR085205200		9		1	A 9 0 1 0 0 5 6		5 9		1 5
1BKR025205200		3		2	A 9 0 1 0 0 5 6		6 5		6
1BKR045205200		5		2	A 9 0 1 1 0 2 1		2 5		7
1BKR065205200		7		2	A 9 0 1 1 0 2 1		2 7		2 1
1BKR085205200		9		2	A 9 0 1 1 0 2 2		2 7		2 3
1FKR045205200		4 9		1	A 9 0 1 1 0 2 3		2 7		2 0
1FKR065205200		5 1		1	A 9 0 1 1 1 0 7		1 9		7
1FKR085205200		5 3		1	A 9 0 1 1 1 1 0		5 7		2 3
1FKR025205200		4 7		1	A 9 0 1 1 1 1 0		6 1		1 3
1 H P 0 2 5 2 0		7 1		3	A 9 0 1 1 1 1 0		6 3		1 2
1 H P 0 4 5 2 0		7 1		3	A 9 0 1 1 1 1 1		5 9		1 4
1 H P 0 6 5 2 0		7 1		3	A 9 0 1 1 1 1 1		6 5		8
1 H P 0 8 5 2 0		7 1		3	A 9 0 1 1 1 1 5		2 9		9
1 J P 0 2 5 2 0		7 1		3	A 9 0 1 1 1 3 1		4 5		2 3
1 J P 0 4 5 2 0		7 1		3	A 9 0 1 1 1 3 2		4 5		2 5
1 J P 0 6 5 2 0		7 1		3	A 9 0 1 1 1 5 2		2 5		6
1 J P 0 8 5 2 0		7 1		3	A 9 0 1 2 0 0 2		7 9		5
1KKR025205200		3		3	A 9 0 1 2 0 0 3		2 7		2 6
1KKR045205200		5		3	A 9 0 1 2 0 0 5		2 7		2 6
1KKR065265200		7		3	A 9 0 1 2 0 0 7		2 1		3 4
1KKR085205200		9		3	A 9 0 1 2 0 0 7		2 3		2 3
1 P K R 0 2 5 2 0		4 1		1 3	A 9 0 1 2 0 0 7		7 3		2 6
1 P K R 0 4 5 2 0		4 1		1 3	A 9 0 1 2 0 2 7		2 3		1 6
1 P K R 0 6 5 2 0		4 1		1 3	A 9 0 1 2 0 3 2		3		2 1
1 P K R 0 8 5 2 0		4 1		1 3	A 9 0 1 2 0 3 2		5		2 1
1UKR025205200		7 1		2 4	A 9 0 1 2 0 3 2		7		2 1
1UKR045205200		7 1		2 4	A 9 0 1 2 0 3 2		9		2 1
1UKR065205200		7 1		2 4	A 9 0 1 2 0 5 1		3 1		2 0
1UKR085205200		7 1		2 4	A 9 0 1 2 0 5 2		5 7		1 9
1WKR045205200		4 9		2	A 9 0 1 2 0 5 2		6 1		9
1WKR065205200		5 1		2	A 9 0 1 2 0 5 2		6 3		9
1WKR085205200		5 3		2	A 9 0 1 2 0 5 3		2 7		3 1
1WKR025205200		4 7		2	A 9 0 1 2 0 5 6		7 7		8
2AKR025205200		3		4	A 9 0 1 2 0 6 4		4 5		2 2
2AKR045205200		5		4	A 9 0 1 2 1 1 4		7 3		2 7
2AKR065205200		7		4	A 9 0 1 2 1 6 2		3 7		8
2AKR085205200		9		4	A 9 0 1 2 1 6 4		2 5		2 9
2BKR025205200		1 1		1	A 9 0 1 2 1 6 4		4 5		2 4
2BKR045205200		1 3		1	A 9 0 1 2 1 9 0		2 9		4
2BKR065205200		1 5		1	A 9 0 1 2 2 3 1		1 9		8
2BKR085205200		1 7		1	A 9 0 1 2 2 3 3		3 7		3
A 9 0 1 0 0 1 7		2 1		5	A 9 0 1 2 2 5 0		9		2 0

From the library of: Diamond Needle Corp

I N D E X

L I S T	No.	P A G E No.	ITEM	L I S T	No.	P A G E No.	ITEM
A 9 0 1 2 2 5 0		1 9	6	E B N 0 1 6 5 0		3 7	1 8
A 9 0 1 2 2 5 5		1 9	1 1	E B N 0 1 6 6 0		3 3	1 2
A 9 0 1 2 2 5 9		3	2 0	E B N 0 1 6 6 0		3 5	1 2
A 9 0 1 2 2 5 9		5	2 0	E B N 0 1 6 7 0		4 1	9
A 9 0 1 2 2 5 9		7	2 0	E B N 0 1 6 9 0		6 9	1 7
A 9 0 1 2 2 6 3		5 5	9	E B N 0 1 7 0 0		6 9	1 6
A 9 0 1 2 2 6 4		4 5	2 7	E B N 0 1 7 1 0		6 9	1 5
A 9 0 1 2 2 6 6		1 1	8	E B N 0 1 7 2 0		6 9	1 4
A 9 0 1 2 2 6 6		1 3	8	E B N 0 1 7 3 0		6 9	1 3
A 9 0 1 2 2 6 6		1 5	8	E B N 0 1 7 5 0		6 9	1 2
A 9 0 1 2 2 6 6		1 7	8	E B N 0 1 7 8 0		6 7	1 8
A 9 0 1 2 2 6 7		3 9	7	E B N 0 1 8 1 0		5 9	1 2
A 9 0 1 2 2 9 1		2 7	1 7	E B N 0 1 8 1 0		6 5	1 0
A 9 0 1 2 3 2 0		4 3	1 7	E B N 0 1 8 2 0		5 9	1 2
A 9 0 1 3 0 4 5		7 3	2 1	E B N 0 1 8 2 0		6 5	1 0
A 9 0 1 3 0 4 5		7 5	1 8	E B N 0 1 9 4 0		6 7	1 1
A 9 0 1 4 0 5 1		3 1	1 9	E B N 0 1 9 5 0		6 7	1 2
A 9 0 1 4 0 6 3		2 1	3 8	E B N 0 1 9 7 0		6 7	1 5
A 9 0 2 0 1 4 5		5 9	9	E B N 0 2 0 9 0		6 7	1 3
A 9 0 2 0 1 4 5		6 5	1 1	F R 6 0 0 5 2 8		4 5	2
A 9 0 2 0 2 0 0		4 3	1 3	F R 6 0 0 5 2 9		4 5	3
A 9 0 5 1 0 3 3		3 9	2	F R 9 2 3 0 0 2 9 0 A		4 5	1
A 9 0 5 2 0 0 5		7 9	1 2	H B 2 3 0 1 4 0		2 7	2 2
A 9 0 5 2 0 2 4		5 7	1 2	H B 2 3 0 1 6 0		2 5	2 0
A 9 0 5 2 0 2 4		6 1	2 4	H B 2 3 0 1 7 0		2 7	2 4
A 9 0 5 2 0 2 8		7 5	1 1	H B 2 3 0 2 7 0		2 5	2 1
A 9 0 5 2 0 3 0		5 7	4	H B 2 3 0 2 9 1		2 5	4
A 9 0 5 2 0 3 0		6 1	2 2	H B 2 3 0 3 1 0		2 5	1 5
A 9 0 5 2 0 3 1		5 7	1 4	H B 2 3 0 3 2 0		2 5	1 1
A 9 0 5 2 0 3 1		6 1	2 7	H B 2 3 0 3 3 1		2 5	1 2
A 9 0 5 2 0 3 2		7 1	2 9	H B 2 3 0 3 7 2		2 9	1 0
A 9 0 5 2 0 3 6		7 1	3 0	H B 2 3 0 3 8 2		2 9	5
A 9 0 5 4 0 4 1		3 7	2 0	H B 2 3 0 3 9 0		2 9	3
A 9 0 5 6 0 0 8		7 3	2	H B 2 3 0 4 0 1		2 9	1
A 9 0 5 6 0 1 2		7 3	1	H B 2 3 0 4 1 4		2 9	1 2
A 9 0 5 6 0 1 3		7 7	1 3	H B 2 3 0 4 2 0		2 9	1 1
A 9 0 5 6 0 1 8		7 5	1	H B 2 3 0 4 3 1		2 7	1 8
A 9 0 5 6 0 2 0		3 1	6	H B 2 3 0 4 4 1		2 7	1 8
A 9 0 6 5 0 2 6		7 9	1 8	H B 2 3 0 4 6 0		3 1	5
E A N 0 5 8 3 0 A 4		6 9	8	H B 2 3 0 4 7 0		3 1	4
E A N 0 5 8 A 2		6 9	7	H B 2 3 0 5 0 2		2 7	2
E A N 0 5 8 A 3		6 7	1 0	H B 2 3 0 5 1 2		2 7	7
E A N 0 5 8 A 5		6 7	1	H B 2 3 0 5 3 1		2 7	4
E A N 0 6 1 A 2		6 9	7	H B 2 3 0 5 5 0		2 7	2 8
E A N 0 6 3 A 2		6 9	7	H B 2 3 0 5 6 0		3 1	7

From the library of: Diamond Needle Corp

I N D E X

LIST	No.	PAGE No.	ITEM	LIST	No.	PAGE No.	ITEM
HB 2 3 0 5 7 1		2 9	2 1	HH 7 1 0 3 0 0		7 1	1
HB 2 3 0 5 8 0		3 1	1 3	HP 2 3 1 3 9 0		2 1	1 3
HB 2 3 0 5 9 0		2 9	2	HP 2 4 1 1 1 2		3 3	6
HB 2 3 0 6 0 1		2 7	1	HP 2 4 1 1 1 2		3 5	6
HB 2 3 0 6 1 1		2 7	1	HP 2 4 1 1 2 2		3 3	6
HB 2 3 0 6 5 0		2 5	3 5	HP 2 4 1 1 2 2		3 5	6
HB 2 3 0 7 2 0		2 7	1 6	HP 2 4 1 1 5 0		3 3	2
HB 2 3 0 7 5 0		2 5	2 2	HP 2 4 1 1 5 0		3 5	2
HB 2 3 0 7 7 0		2 7	5	HP 2 4 1 1 6 0		3 3	7
HB 2 3 0 7 8 0		2 7	6	HP 2 4 1 1 6 0		3 5	7
HB 2 3 0 8 2 0		2 7	8	HP 2 4 1 1 7 0		3 3	3
HB 2 4 0 0 2 0		3 1	1 4	HP 2 4 1 1 7 0		3 5	3
HB 2 4 0 0 3 0		3 1	1 5	HP 2 4 1 1 8 0		3 3	3
HB 2 4 0 0 4 0		3 1	9	HP 2 4 1 1 8 0		3 5	3
HB 2 4 0 0 5 0		3 1	1 0	HP 2 4 1 3 7 1		3 3	8
HB 2 4 0 0 7 0		3 1	1 8	HP 2 4 1 3 7 1		3 5	8
HB 2 4 0 0 8 0		3 1	2 2	HP 2 4 1 3 8 1		3 3	8
HB 2 4 0 0 9 0		3 1	2 1	HP 2 4 1 3 8 1		3 5	8
HB 2 4 0 1 1 0		3 1	1 7	HP 2 4 1 4 1 0		3 3	1
HB 2 4 0 1 7 1		2 5	1 8	HP 2 4 1 4 1 0		3 5	1
HB 2 4 0 1 8 0		2 5	2	HP 2 4 1 4 3 0		7 1	4
HB 2 4 0 2 6 0		3 3	1 1	HP 2 4 1 4 4 0		3 3	5
HB 2 4 0 2 6 0		3 5	1 1	HP 2 4 1 4 4 0		3 5	5
HB 2 4 0 2 7 0		3 3	1 1	HP 2 4 1 4 5 0		3 3	4
HB 2 4 0 2 7 0		3 5	1 1	HP 2 4 1 4 5 0		3 5	4
HB 2 4 0 2 8 0		2 5	1 8	HP 2 4 1 4 6 0		3 3	4
HB 2 4 0 2 9 0		2 5	2	HP 2 4 1 4 6 0		3 5	4
HB 2 4 0 3 1 0		3 1	8	HP 2 4 1 4 7 0		3 3	1 0
HB 2 4 0 3 3 0		3 1	1 2	HP 2 4 1 4 7 0		3 5	1 0
HB 2 4 0 3 4 0		3 1	1 1	HP 2 4 1 4 8 0		3 3	1 0
HH 3 3 0 2 8 1		3 7	1 1	HP 2 4 1 4 8 0		3 5	1 0
HH 3 3 0 8 1 0		3 7	1 2	HP 2 5 0 0 5 0		3 3	2 0
HH 4 8 1 9 7 0		5 7	2 4	HP 3 1 3 6 9 0		4 3	2 5
HH 4 8 1 9 7 0		6 1	1 2	HP 3 2 1 1 4 0		4 1	2
HH 4 8 1 9 7 0		6 3	1 1	HP 3 2 1 1 4 0		5 9	6
HH 4 8 1 9 8 0		5 7	2 2	HP 3 2 1 1 4 0		6 5	3
HH 4 8 1 9 8 0		6 1	1 5	HP 4 8 2 9 5 0		5 5	5
HH 4 8 1 9 8 0		6 3	1 4	HP 4 8 2 9 5 0		5 7	5
HH 4 8 1 9 9 1		5 7	1 6	HP 4 8 2 9 5 0		6 1	1 9
HH 4 8 1 9 9 1		6 1	7	HP 4 8 3 1 1 1		6 1	1 8
HH 4 8 1 9 9 1		6 3	7	HP 4 8 3 3 7 0		6 1	1 7
HH 4 8 2 1 1 0		5 7	1 7	HP 7 1 0 7 9 1		7 1	7
HH 4 8 2 1 1 0		6 1	1 0	HS 4 6 0 0 3 0		4 5	5
HH 4 8 2 1 1 0		6 3	1 0	HS 4 6 0 0 5 0		4 5	6
HH 7 1 0 1 0 0		7 1	1	HS 4 6 0 2 0 0		4 5	4

I N D E X

L I S T	No.	P A G E No.	ITEM	L I S T	No.	P A G E No.	ITEM
HS 4 6 0 2 1 0		4 5	7	K C 2 2 0 6 5 0		2 3	1 5
HS 7 3 0 0 0 0		4 5	1 0	K C 2 5 0 4 7 1		2 3	1 7
KB 2 1 0 1 6 0		2 1	2 5	K C 2 5 0 4 8 2		2 3	1 8
KB 2 1 0 1 7 0		3 1	1	K C 2 5 1 3 3 0		2 1	2 7
KB 2 3 0 0 1 0		2 1	2 8	K C 2 7 0 1 0 1		7 7	2 8
KB 2 3 0 0 3 0		2 1	3 1	K C 2 7 0 2 7 1		7 7	1 7
KB 2 3 0 0 5 0		2 1	3 3	K C 2 7 0 2 8 3		7 7	1 4
KB 2 3 0 0 6 0		2 9	8	K C 2 7 0 2 9 2		7 7	1 6
KB 2 3 0 0 7 0		2 9	7	K C 2 7 0 3 0 1		7 7	1 8
KB 2 3 0 0 8 0		2 9	6	K C 2 7 0 3 6 0		7 3	8
KB 2 3 0 0 9 0		2 5	5	K C 2 7 0 7 6 1		7 7	2 0
KB 2 3 0 1 0 0		2 5	8	K C 2 7 0 9 5 0		7 3	2 0
KB 2 3 0 1 1 0		2 5	9	K C 2 7 0 9 6 0		7 3	1 4
KB 2 3 0 1 2 0		2 5	1 0	K C 2 7 0 9 7 0		7 3	2 2
KB 2 3 0 1 3 0		2 5	1 9	K C 2 7 0 9 8 0		7 3	1 9
KB 2 3 0 1 4 1		2 5	1 7	K C 2 7 1 0 0 1		7 3	1 2
KB 2 3 0 1 6 1		2 5	1	K C 2 7 1 0 2 1		7 3	1 1
KB 2 3 0 1 7 0		3 1	3	K C 2 7 1 0 3 1		7 3	1 0
KB 2 3 0 3 1 0		2 5	3 6	K C 2 7 1 0 4 1		7 3	9
KB 2 3 0 3 2 0		2 5	1 6	K C 2 7 1 0 7 0		7 3	2 9
KB 2 4 0 0 1 0		2 5	1 4	K C 2 7 1 1 2 0		7 3	2 8
KB 2 4 0 0 2 1		2 5	3	K C 2 7 1 1 3 0		7 3	3 0
KB 2 4 0 0 3 0		3 1	2	K C 2 7 1 1 4 0		7 9	7
KB 2 4 0 0 4 0		3 1	1 6	K C 2 7 1 1 5 1		7 9	1 1
KB 2 4 0 0 5 1		3 3	1 3	K C 2 7 1 1 6 2		7 9	1 5
KB 2 4 0 0 6 0		3 3	1 6	K C 2 7 1 1 7 2		7 9	1 0
KB 2 4 0 0 7 0		3 3	1 6	K C 2 7 1 4 3 0		7 9	1 7
KB 2 4 0 1 0 0		3 3	1 5	K C 2 7 1 4 4 0		7 9	1
KB 2 5 0 0 2 0		3 3	1 7	K C 2 7 1 9 4 0		7 3	7
KB 2 5 0 0 2 0		3 5	1 7	K C 2 7 1 9 5 0		7 3	6
KB 2 5 0 0 3 0		3 3	1 8	K C 2 7 1 9 6 0		7 3	3
KB 2 5 0 0 3 0		3 5	1 8	K C 3 1 2 8 9 0		4 1	7
KB 2 5 0 0 4 0		3 3	1 9	K C 3 2 0 5 9 0		4 1	5
KB 2 5 0 0 4 0		3 5	1 9	K C 3 3 0 1 7 0		3 7	1 0
KB 2 5 0 0 5 0		3 3	2 1	K C 3 3 0 1 8 0		7 9	6
KB 2 5 0 0 6 0		3 3	2 2	K C 3 3 0 3 1 0 5 2 0		2 7	2 5
KB 2 5 0 0 6 0		3 5	1 5	K C 3 3 0 4 1 0		2 9	1 8
KB 2 7 0 0 2 0		7 3	2 5	K C 3 3 0 4 1 0		7 9	2
K C 1 1 0 9 1 0		3	1 3	K C 3 3 0 5 1 0		7 9	3
K C 1 1 0 9 1 0		5	1 3	K C 4 5 0 9 2 0		4 7	1 8
K C 1 1 0 9 1 0		7	1 3	K C 5 3 0 2 3 0		6 9	5
K C 1 1 0 9 1 0		9	1 3	K C 5 3 0 2 4 0		6 9	3
K C 1 1 0 9 7 0		7 1	1 2	K F 2 2 0 1 3 0		2 1	1 1
K C 2 2 0 2 1 0		2 3	1 9	K F 2 2 0 2 3 0		2 3	1 0
K C 2 2 0 6 4 2		7 3	2 3	K F 2 2 0 2 7 1		2 3	4

I N D E X

LIST	No.	PAGE No.	ITEM	LIST	No.	PAGE No.	ITEM
K F 2 2 0 2 9 0		2 3	1 1	K K 1 4 0 0 0 0		9	1 4
K F 2 2 0 4 1 0		2 3	8	K K 1 4 0 0 1 0		1 9	2
K F 2 2 0 4 4 0		2 3	7	K K 1 4 0 0 2 0		3	1 9
K F 2 2 0 4 6 0		2 1	1 9	K K 1 4 0 0 2 0		5	1 6
K F 2 2 0 4 7 0		2 3	1	K K 1 4 0 0 2 0		7	1 6
K F 2 2 0 4 8 0		2 3	1 3	K K 1 4 0 0 2 0		9	1 6
K F 2 2 0 7 5 0		2 3	9	K K 1 4 0 0 5 0		1 1	2
K F 2 3 0 2 3 0		2 7	1 2	K K 1 4 0 0 5 0		1 3	2
K F 2 3 0 2 4 0		2 7	1 3	K K 1 4 0 0 5 0		1 5	2
K F 2 3 0 2 5 0		2 7	1 4	K K 1 4 0 0 5 0		1 7	2
K F 2 3 0 4 2 0		2 1	3 0	K K 1 4 0 0 6 1		3	1 5
K F 2 3 0 5 0 0		2 5	1 3	K K 1 4 0 0 6 1		5	1 5
K F 2 3 0 5 8 0		7 7	1 9	K K 1 4 0 0 6 1		7	1 5
K F 2 3 0 6 3 0		2 9	1 4	K K 1 4 0 0 6 1		9	1 5
K F 2 3 0 6 4 0		2 9	1 6	K K 1 4 0 0 7 0		1 9	1
K F 2 3 0 6 4 0		7 3	3 1	K K 1 4 0 0 8 0		1 9	1 4
K F 2 3 0 6 5 0		2 9	1 5	K K 1 4 0 1 1 1		1 1	3
K F 2 3 0 6 6 1		2 9	1 9	K K 1 4 0 1 1 1		1 3	3
K F 2 3 0 6 7 0		2 9	2 0	K K 1 4 0 1 1 1		1 5	3
K F 2 3 0 9 1 0		2 7	1 9	K K 1 4 0 1 1 1		1 7	3
K F 2 3 0 9 2 0		2 7	1 0	K K 1 4 0 1 4 1		1 9	3
K F 2 3 0 9 3 0		2 7	1 1	K K 1 4 0 1 5 1		1 9	5
K F 2 4 0 9 0 0		7 1	5	K K 1 4 0 1 6 0		3	1 8
K F 2 5 0 9 0 0		2 3	2 1	K K 1 4 0 1 6 0		5	1 7
K F 3 2 0 5 2 0		5 9	7	K K 1 4 0 1 6 0		7	1 7
K F 3 2 0 5 2 0		6 5	1 4	K K 1 4 0 1 6 0		9	1 7
K F 3 3 0 3 8 1		2 7	2 7	K K 1 4 0 1 7 0		3	5
K F 3 3 0 3 8 1		2 9	1 7	K K 1 4 0 1 7 0		5	5
K F 5 3 0 1 1 1		6 9	4	K K 1 4 0 1 7 0		7	5
K F 5 3 0 1 2 0		6 9	4	K K 1 4 0 1 7 0		9	5
K F 5 3 0 1 5 1		6 9	6	K K 1 4 0 2 0 1		1 1	7
K F 5 3 0 1 6 0		6 9	1	K K 1 4 0 2 0 1		1 3	7
K F 5 3 0 1 7 1		6 9	2	K K 1 4 0 2 0 1		1 5	7
K F 7 1 0 1 0 0		7 1	1	K K 1 4 0 2 0 1		1 7	7
K F 7 1 0 2 8 0		7 1	6	K K 1 4 0 2 1 0		1 1	5
K F 7 1 0 3 0 0		7 1	1	K K 1 4 0 2 1 0		1 3	5
K G 2 3 0 0 2 0		2 7	9	K K 1 4 0 2 1 0		1 5	5
K G 2 5 0 0 1 0		3 3	2 0	K K 1 4 0 2 1 0		1 7	5
K G 2 7 0 2 8 2		7 7	1 4	K K 1 4 0 2 2 0		1 3	4
K G 2 7 0 3 1 0		7 7	1 5	K K 1 4 0 2 2 0		1 5	4
K G 2 7 0 7 6 0		7 7	2 0	K K 1 4 0 2 2 0		1 7	4
K G 7 1 0 1 6 1		7 1	2	K K 1 4 0 2 8 1		1 1	6
K K 1 4 0 0 0 0		3	1 4	K K 1 4 0 2 8 1		1 3	6
K K 1 4 0 0 0 0		5	1 4	K K 1 4 0 2 8 1		1 5	6
K K 1 4 0 0 0 0		7	1 4	K K 1 4 0 2 8 1		1 7	6

I N D E X

L I S T	No.	PAGE No.	ITEM	L I S T	No.	PAGE No.	ITEM
KK 1 4 0 2 9 1		1 1	9	KL 2 2 0 0 3 0		2 1	1 5
KK 1 4 0 2 9 1		1 3	9	KL 2 2 0 0 4 0		2 1	6
KK 1 4 0 2 9 1		1 5	9	KL 2 2 0 0 5 0		2 1	2 1
KK 1 4 0 2 9 1		1 7	9	KL 2 2 0 0 6 0		2 3	2
KK 1 4 0 3 2 0		1 9	9	KL 2 2 0 0 7 0		2 3	1 2
KK 1 4 0 3 3 0		1 9	1 0	KL 2 2 0 0 8 0		2 1	1 2
KK 1 4 0 3 4 0		1 9	1 2	KL 2 2 0 0 9 0		2 1	4
KK 1 4 0 3 5 0		1 1	1 0	KL 2 2 0 1 0 0		2 1	1
KK 1 4 0 3 5 0		1 3	1 0	KL 2 2 0 1 2 0		2 3	2 0
KK 1 4 0 3 5 0		1 5	1 0	KL 2 2 0 1 3 0		2 1	1 4
KK 1 4 0 3 5 0		1 7	1 0	KL 2 2 0 1 4 0		2 1	2 0
KK 1 4 0 3 6 0		1 9	1 3	KL 2 2 0 1 4 0		2 3	3
KK 1 4 0 3 7 0		1 1	2 1	KL 2 2 0 1 5 0		2 1	8
KK 1 4 0 3 7 0		1 3	2 1	KL 2 3 0 1 1 1		2 7	1 5
KK 1 4 0 3 7 0		1 5	2 1	KL 2 3 0 2 8 0		2 9	1 3
KK 1 4 0 3 7 0		1 7	2 0	KL 2 5 0 0 4 0		2 1	7
KK 4 6 0 0 0 0		4 5	1 9	KL 2 5 0 0 5 1		2 1	2 6
KK 4 6 0 0 1 0		4 5	1 6	KL 2 5 0 0 7 0		2 3	5
KK 4 6 0 0 2 0		4 5	2 0	KL 2 7 0 0 0 0		7 7	1
KK 4 6 0 0 3 1		4 5	1 8	KL 2 7 0 0 1 0		7 7	6
KK 4 6 0 0 4 0		4 5	1 4	KL 2 7 0 0 2 0		7 7	5
KK 4 6 0 0 5 0		4 5	9	KL 2 7 0 0 3 0		7 7	7
KK 4 6 0 0 6 1		4 5	1 1	KL 2 7 0 0 4 0		7 7	2
KK 4 6 0 0 7 0		4 5	1 2	KL 2 7 0 0 5 0		7 7	3
KK 4 6 0 0 8 0		4 5	1 5	KL 2 7 0 0 6 0		7 7	4
KK 4 6 0 0 9 0		4 5	1 3	KL 2 7 0 0 7 0		7 7	1 0
KK 4 6 0 1 2 0		4 5	2 1	KL 2 7 0 0 8 1		7 5	2
KK 4 6 0 1 3 0		4 5	8	KL 2 7 0 0 9 1		7 5	4
KK 4 6 0 1 4 0		4 5	2 6	KL 2 7 0 1 0 1		7 5	8
KK 4 8 0 0 4 0		5 5	7	KL 2 7 0 1 1 0		7 5	3
KK 4 8 0 0 5 0		5 5	3	KL 2 7 0 1 2 0		7 5	9
KK 4 8 0 0 7 0		5 5	8	KL 2 7 0 1 3 0		7 5	1 6
KK 4 8 0 1 0 0		4 7	6	KL 2 7 0 1 4 0		7 5	7
KK 4 8 0 1 0 0		4 9	6	KL 2 7 0 1 4 0		7 7	1 2
KK 4 8 0 1 0 0		5 1	6	KL 2 7 0 1 5 0		7 5	6
KK 4 8 0 1 0 0		5 3	6	KL 2 7 0 1 5 0		7 7	1 1
KK 4 8 0 1 1 0		5 7	8	KL 2 7 0 2 6 0		7 5	1 0
KK 4 8 0 1 2 0		5 5	1	KL 2 7 0 3 8 0		7 3	1 3
KK 4 8 0 1 4 0		5 5	6	KL 2 7 0 3 9 0		7 3	3 5
KK 4 8 0 1 6 1		5 5	4	KL 2 7 0 4 0 0		7 5	1 3
KL 2 1 0 1 1 3		2 3	6	KL 2 7 0 4 1 0		7 5	1 7
KL 2 1 0 1 4 0		2 1	1 7	KL 2 7 0 4 2 0		7 5	1 5
KL 2 2 0 0 0 0		2 1	1 6	KL 2 7 0 4 3 0		7 5	1 2
KL 2 2 0 0 1 0		2 1	2 4	KL 2 7 0 4 4 0		7 5	1 4
KL 2 2 0 0 2 0		2 1	2 9	KL 2 7 0 4 5 0		7 5	5

I N D E X

LIST	No.	PAGE No.	ITEM	LIST	No.	PAGE No.	ITEM
KL 2 7 0 5 2 0		7 7	9	KR 1 4 0 0 5 0		3	1 6
KL 3 1 0 0 8 1		4 3	1 0	KR 1 4 0 0 5 0		5	1 9
KL 3 2 0 0 0 0		2 1	3 5	KR 1 4 0 0 5 0		7	1 9
KL 3 2 0 0 2 0		2 1	3 7	KR 1 4 0 0 5 0		9	1 9
KN 2 3 1 3 5 0		2 7	3	KR 1 4 0 0 6 0		1 1	1 1
KN 2 7 1 1 9 0		7 3	1 6	KR 1 4 0 0 6 0		1 3	1 1
KN 2 7 1 2 2 0		7 3	1 5	KR 1 4 0 0 6 0		1 5	1 1
KN 2 7 1 6 5 1		3 9	5	KR 1 6 0 0 3 0		1 1	4
KN 2 7 1 6 5 1		7 3	4	KR 2 1 0 0 3 0		2 1	2 5
KN 2 7 1 6 6 1		3 9	1 2	KR 3 1 0 0 0 0		4 3	1
KN 2 7 1 6 6 1		7 3	5	KR 3 1 0 0 1 0		4 3	7
KN 2 7 1 7 1 2		7 9	2 2	KR 3 1 0 0 2 0		4 3	8
KN 2 7 2 3 5 0		7 9	8	KR 3 1 0 0 3 0		4 3	3
KN 3 1 0 0 1 0		4 3	2	KR 3 1 0 0 4 0		4 3	5
KN 3 1 5 1 1 0		4 3	9	KR 3 1 0 0 5 0		4 3	4
KN 4 5 0 3 0 0		5 7	1 3	KR 3 1 0 0 6 0		4 3	6
KN 4 5 0 3 0 0		6 1	2 6	KR 3 1 0 0 7 0		4 3	1 2
KN 4 5 0 3 1 1		6 1	2 1	KR 3 1 0 0 8 0		4 1	8
KN 4 8 0 0 6 1		5 7	9	KR 3 1 0 0 9 0		4 1	1
KN 4 8 0 0 6 1		6 1	4	KR 3 1 0 1 0 0		4 1	1 0
KN 4 8 0 0 6 1		6 3	4	KR 3 1 0 1 1 0		4 1	1 1
KN 4 8 3 4 5 0		6 1	2	KR 3 1 0 1 2 0		4 1	4
KN 4 8 3 4 5 0		6 3	2	KR 3 1 0 1 3 0		4 1	3
KN 5 1 0 5 9 1		7 1	1 3	KR 3 2 0 0 0 1		4 3	1 1
KR 1 4 0 0 0 0		3	8	KR 3 2 0 0 1 0		4 3	1 1
KR 1 4 0 0 0 0		5	8	KR 3 2 0 0 2 0		4 3	1 1
KR 1 4 0 0 0 0		7	8	KR 3 2 0 0 3 0		4 3	1 1
KR 1 4 0 0 0 0		9	8	KR 3 3 0 0 0 0		3 7	1 3
KR 1 4 0 0 1 0		3	6	KR 3 3 0 0 1 0		3 9	3
KR 1 4 0 0 1 0		5	6	KR 3 3 0 0 2 0		7 1	2 5
KR 1 4 0 0 1 0		7	6	KR 3 3 0 0 3 0		3 9	6
KR 1 4 0 0 1 0		9	6	KR 3 3 0 0 4 0		3 5	1 6
KR 1 4 0 0 2 0		3	9	KR 3 3 0 0 6 0		3 9	9
KR 1 4 0 0 2 0		5	9	KR 3 3 0 0 7 0		3 9	8
KR 1 4 0 0 2 0		7	9	KR 3 3 0 1 0 0		3 9	1 1
KR 1 4 0 0 2 0		9	9	KR 3 3 0 1 1 0		4 1	6
KR 1 4 0 0 3 0		3	1 0	KR 3 3 0 1 2 0		3 9	4
KR 1 4 0 0 3 0		5	1 0	KR 3 3 0 1 4 1		3 9	1 0
KR 1 4 0 0 3 0		7	1 0	KR 3 3 0 1 6 0		7 1	2 6
KR 1 4 0 0 3 0		9	1 0	KR 3 3 0 1 7 0		7 1	2 7
KR 1 4 0 0 3 0		1 9	4	KR 3 3 0 1 9 0		3 7	1
KR 1 4 0 0 4 0		3	7	KR 3 3 0 2 0 0		3 7	2
KR 1 4 0 0 4 0		5	7	KR 3 3 0 2 1 0		3 7	9
KR 1 4 0 0 4 0		7	7	KR 3 3 0 2 2 0		3 9	1
KR 1 4 0 0 4 0		9	7	KR 3 3 0 2 3 0		7 1	1 7

I N D E X

LIST	No.	PAGE No.	ITEM	LIST	No.	PAGE No.	ITEM
K R 3 3 0 2 4 0		3 5	1 6	K R 4 8 0 1 7 0		5 3	1 0
K R 4 7 0 0 0 0		5 7	3 7	K R 4 8 0 1 8 0		5 9	4
K R 4 7 0 0 1 0		5 7	3 7	K R 4 8 0 1 9 0		6 5	5
K R 4 7 0 0 2 0		5 7	3 7	K R 4 8 0 2 0 0		5 9	5
K R 4 7 0 0 3 0		5 7	3 7	K R 4 8 0 2 1 0		6 1	1
K R 4 8 0 0 0 0		5 7	1 8	K R 4 8 0 2 1 0		6 3	1
K R 4 8 0 0 0 0		6 1	8	K R 4 8 0 2 2 0		6 1	1 6
K R 4 8 0 0 0 0		6 3	8	K R 4 8 0 2 3 0		5 5	2
K R 4 8 0 0 1 0		5 7	2 1	K R 4 8 0 2 4 0		5 7	2
K R 4 8 0 0 1 0		6 1	1 4	K R 4 8 0 2 5 0		4 7	7
K R 4 8 0 0 1 0		6 3	1 3	K R 4 8 0 2 5 0		4 9	7
K R 4 8 0 0 2 0		5 9	2	K R 4 8 0 2 5 0		5 1	7
K R 4 8 0 0 2 0		6 5	2	K R 4 8 0 2 5 0		5 3	7
K R 4 8 0 0 3 0		5 7	7	K R 4 8 0 2 6 0		5 7	1
K R 4 8 0 0 3 0		6 1	2 0	K R 4 8 0 2 7 0		4 7	8
K R 4 8 0 0 3 0		6 3	1 5	K R 4 8 0 2 7 0		4 9	8
K R 4 8 0 0 4 0		5 9	1 1	K R 4 8 0 2 7 0		5 1	8
K R 4 8 0 0 4 0		6 5	1 3	K R 4 8 0 2 7 0		5 3	8
K R 4 8 0 0 5 0		5 7	2 0	K R 4 8 0 2 8 0		6 1	3
K R 4 8 0 0 5 0		6 1	6	K R 4 8 0 2 8 0		6 3	3
K R 4 8 0 0 5 0		6 3	6	K R 4 8 0 2 9 0		5 7	6
K R 4 8 0 0 6 0		5 7	1 5	K R 4 9 0 0 0 0		6 1	1 1
K R 4 8 0 0 6 0		6 1	5	K R 5 1 0 0 0 0		6 7	8
K R 4 8 0 0 6 0		6 3	5	K R 5 1 0 0 1 0		6 7	1 7
K R 4 8 0 0 7 0		6 1	2 8	K R 5 1 0 0 2 0		6 7	1 6
K R 4 8 0 0 8 0		5 9	3	K R 5 1 0 0 3 0		6 7	6
K R 4 8 0 0 8 0		6 5	4	K R 5 1 0 0 5 0		6 7	7
K R 4 8 0 0 9 0		5 9	1 3	K R 5 1 0 0 6 0		6 7	1 4
K R 4 8 0 0 9 0		6 5	9	K R 5 1 0 0 7 0		6 7	5
K R 4 8 0 1 0 0		5 9	1 6	K R 5 1 0 0 8 0		6 7	4
K R 4 8 0 1 0 0		6 5	7	K R 5 1 0 0 9 0		6 7	3
K R 4 8 0 1 1 0		5 9	8	K R 5 1 0 1 0 0		6 7	2
K R 4 8 0 1 1 0		6 5	1 5	K R 5 1 0 1 1 0		6 7	9
K R 4 8 0 1 2 0		5 9	1 0	K R 5 1 0 1 2 0		7 1	1 0
K R 4 8 0 1 2 0		6 5	1 2	K R 5 1 0 1 3 0		7 1	8
K R 4 8 0 1 3 0		4 7	9	K U 2 4 1 4 0 0		3 3	1 4
K R 4 8 0 1 3 0		4 9	9	K U 2 4 1 4 0 0		3 5	1 4
K R 4 8 0 1 3 0		5 1	9 こ	K U 3 1 5 2 5 0		4 3	1 4
K R 4 8 0 1 3 0		5 3	9	K U 4 6 0 2 7 0		5 7	1 0
K R 4 8 0 1 4 0		6 5	1	K U 4 6 0 2 7 0		6 1	2 5
K R 4 8 0 1 5 0		5 9	1	M A 1 4 0 3 2 0		3	1 7
K R 4 8 0 1 6 0		5 7	3	M A 1 4 0 3 2 0		5	1 8
K R 4 8 0 1 7 0		4 7	1 0	M A 1 4 0 3 2 0		7	1 8
K R 4 8 0 1 7 0		4 9	1 0	M A 1 4 0 3 2 0		9	1 8
K R 4 8 0 1 7 0		5 1	1 0	M A 2 5 0 1 3 1		2 3	1 4

